

iMX RT1011 Nano Kit

Function Description	Page
Title Sheet	1
Power Supply	2
NXP MIMXRT1011 MCU	3
Pinout	4
Miscellaneous	5


Revision History

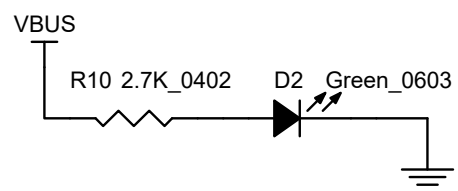
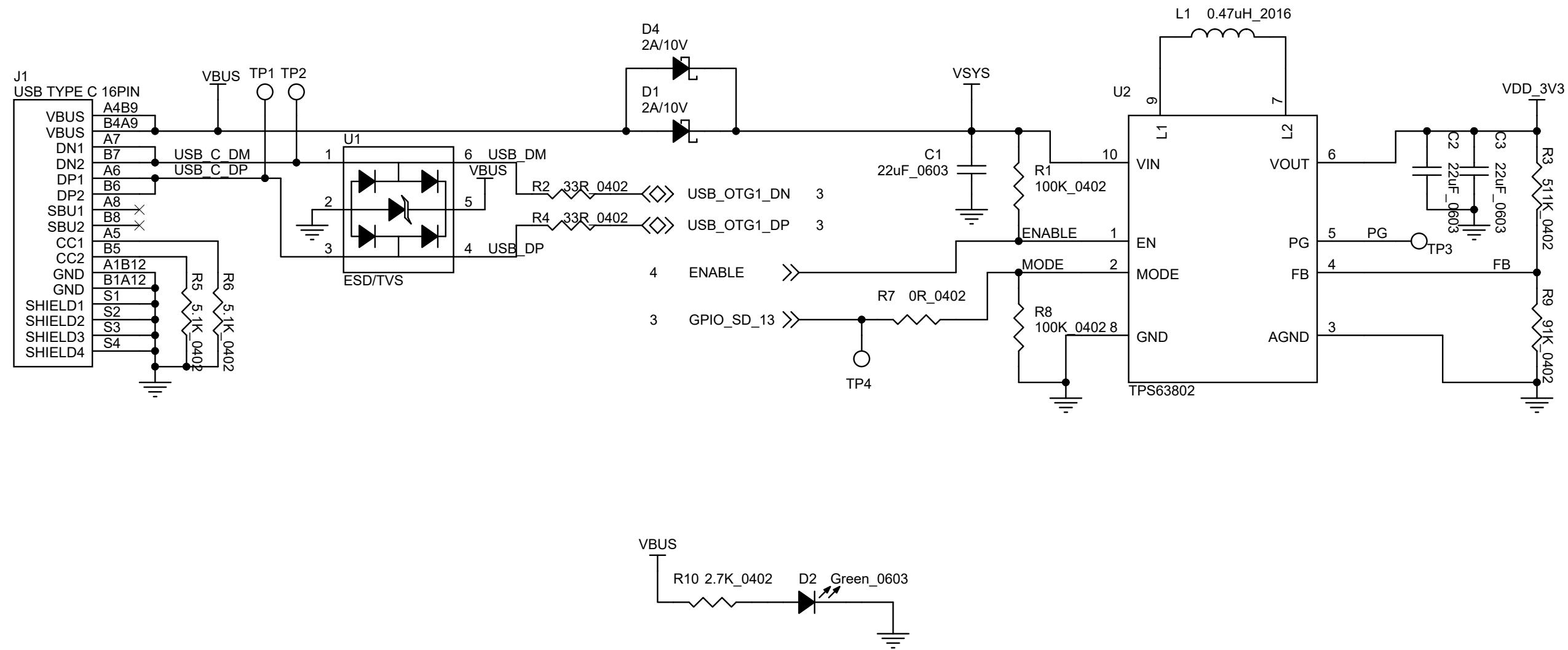
Revision	Changes	Date
Rev.A	The initial public release	Dec-25-2023




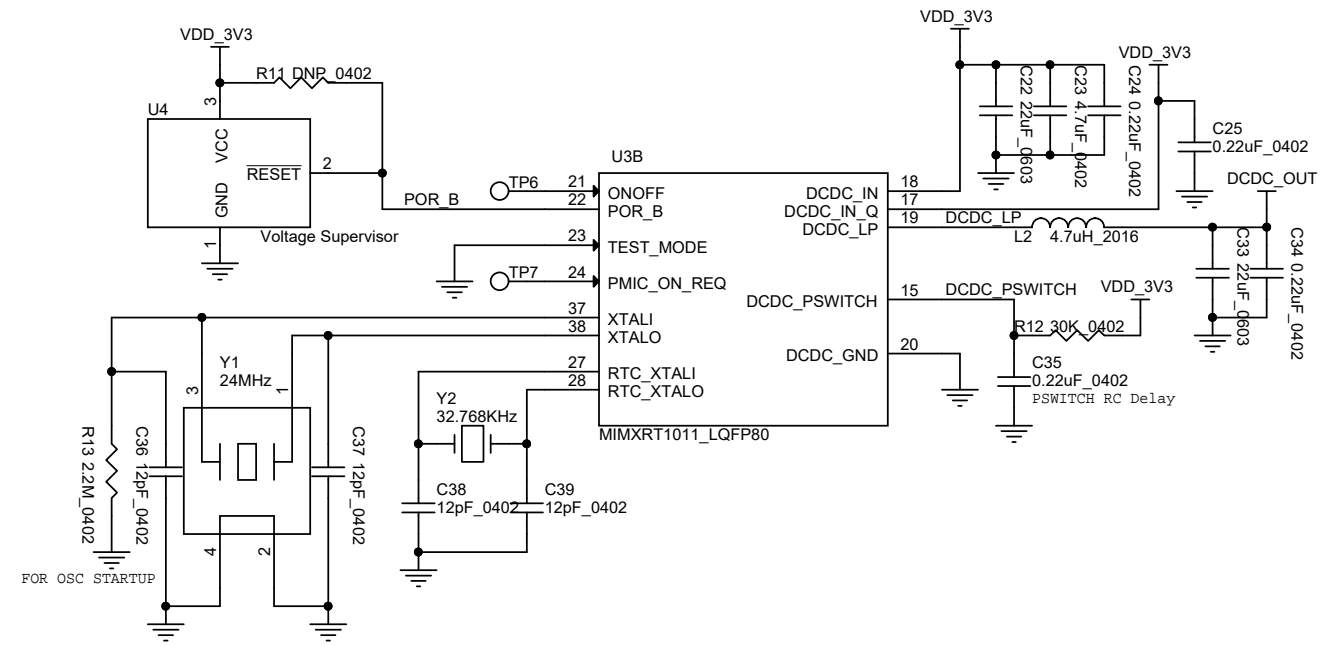
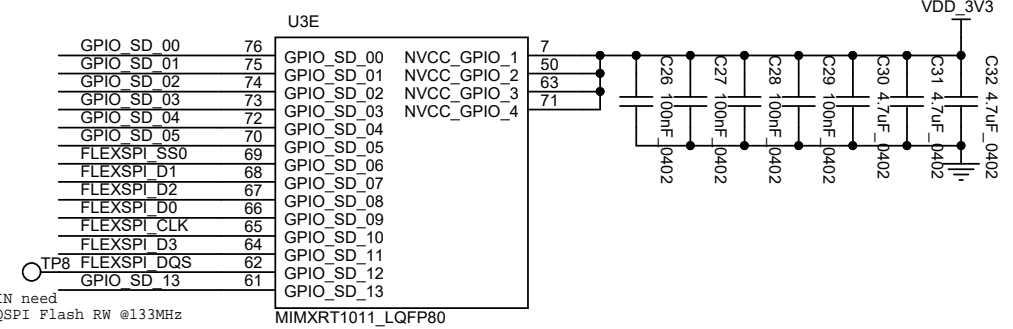
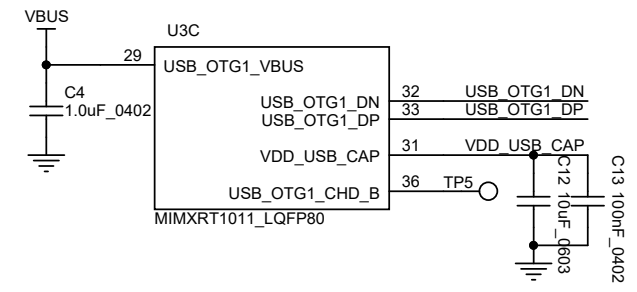
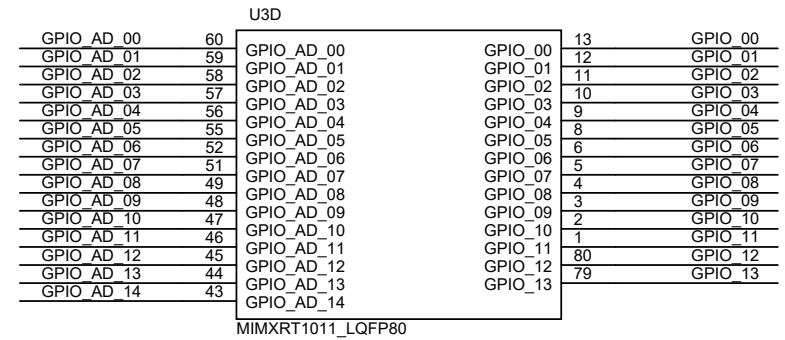
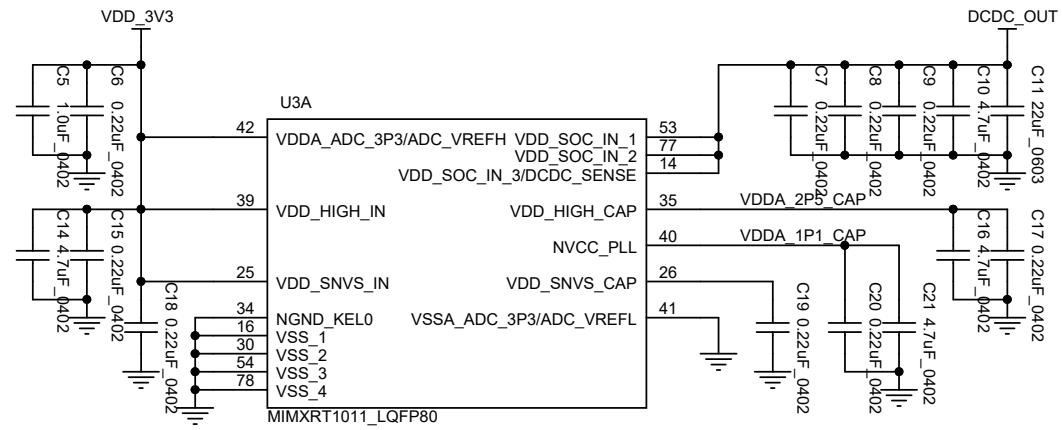
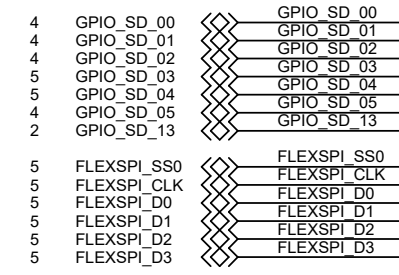
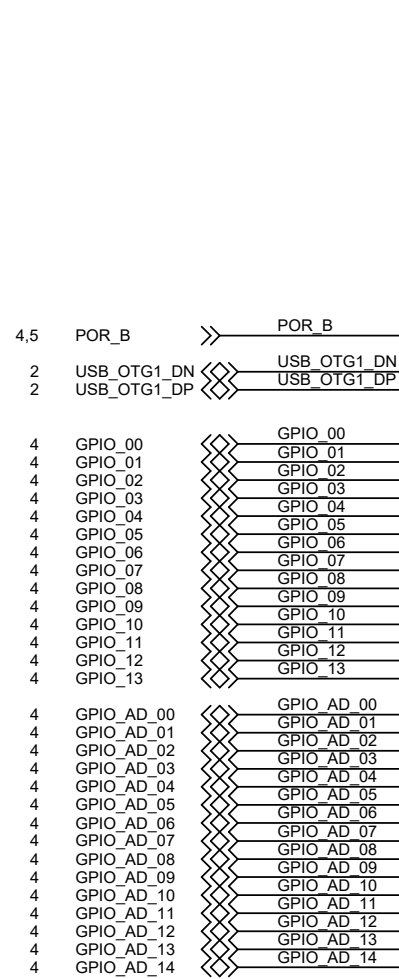
This design document is licensed by Makerdiary under the terms of the Creative Commons Attribution Share-Alike License (ver. 4).

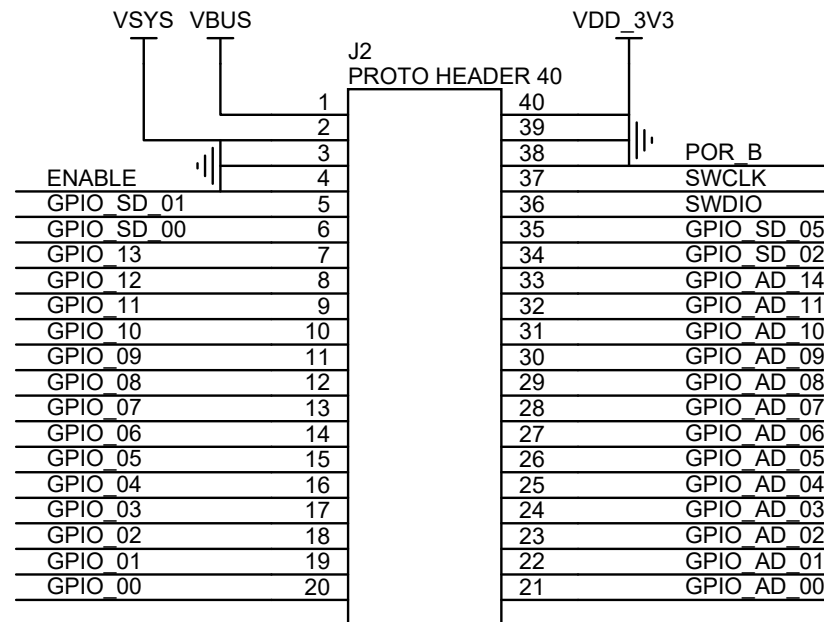
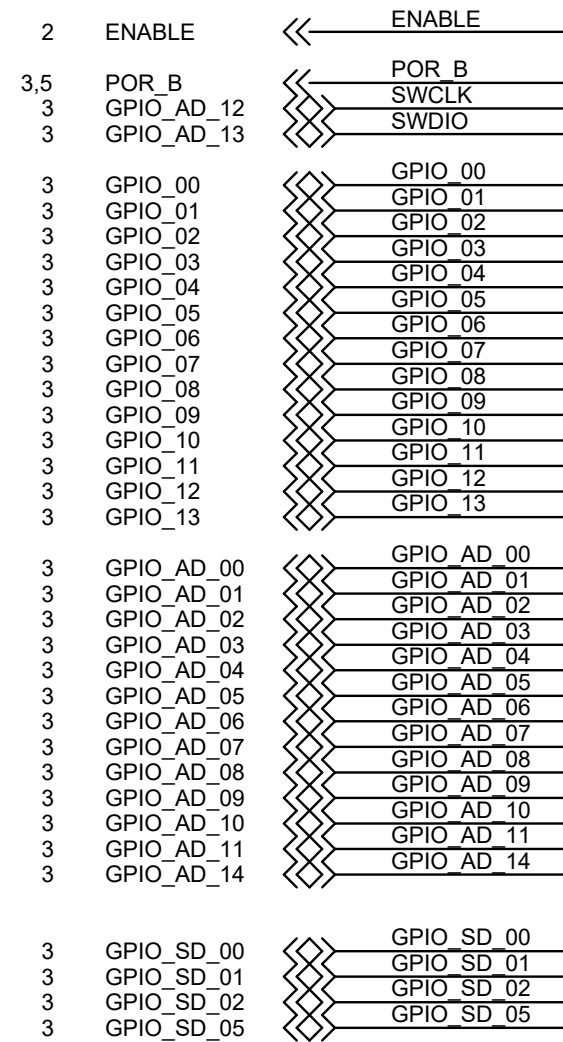
<https://creativecommons.org/licenses/by-sa/4.0/>

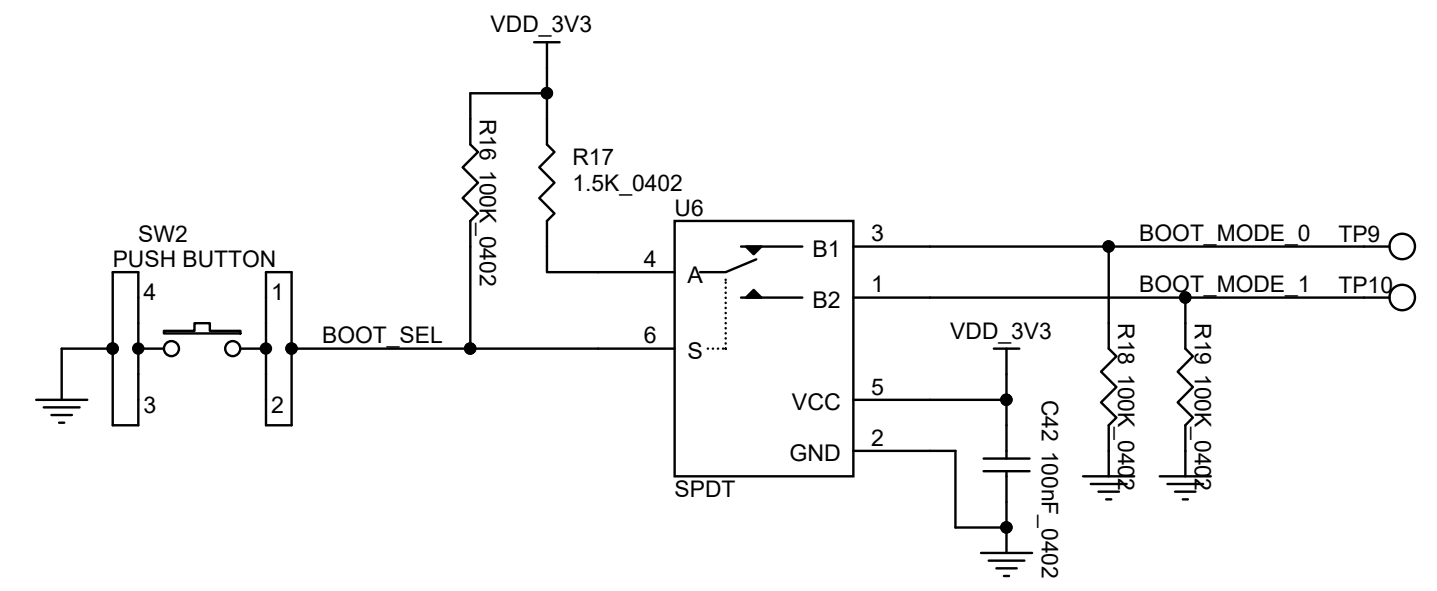
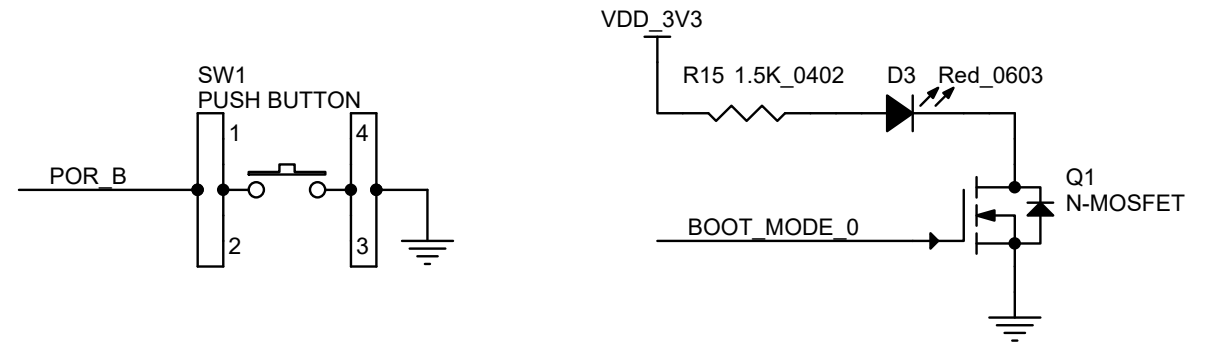
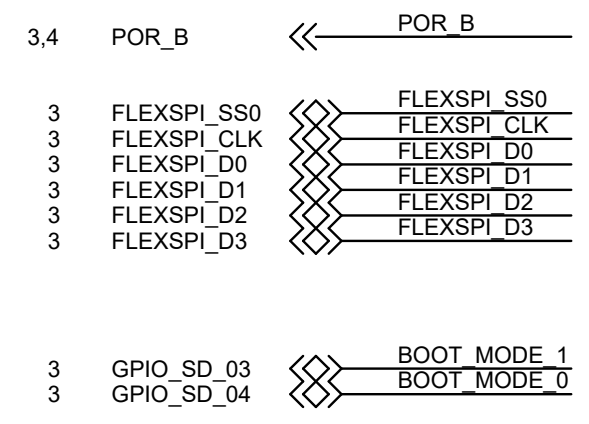
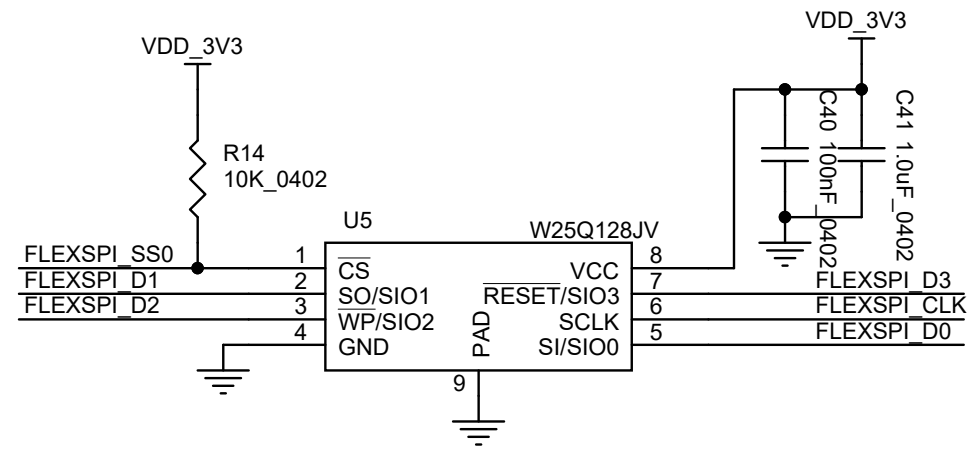
 https://makerdiary.com	
Title Title Sheet	
Size A4	Document Number NKIMXRT1011SCH
Date: Dec-25-2023	Rev A
Sheet 1 of 5	



 makerdiary		https://makerdiary.com
Title Power Supply		
Size A4	Document Number NKIMXRT1011SCH	Rev A
Date: Dec-25-2023	Sheet 2 of 5	







MODE	BOOT_SEL	BOOT_MODE[1:0]
Internal Boot	1(def.)	0b10
Serial Downloader	0	0b01