

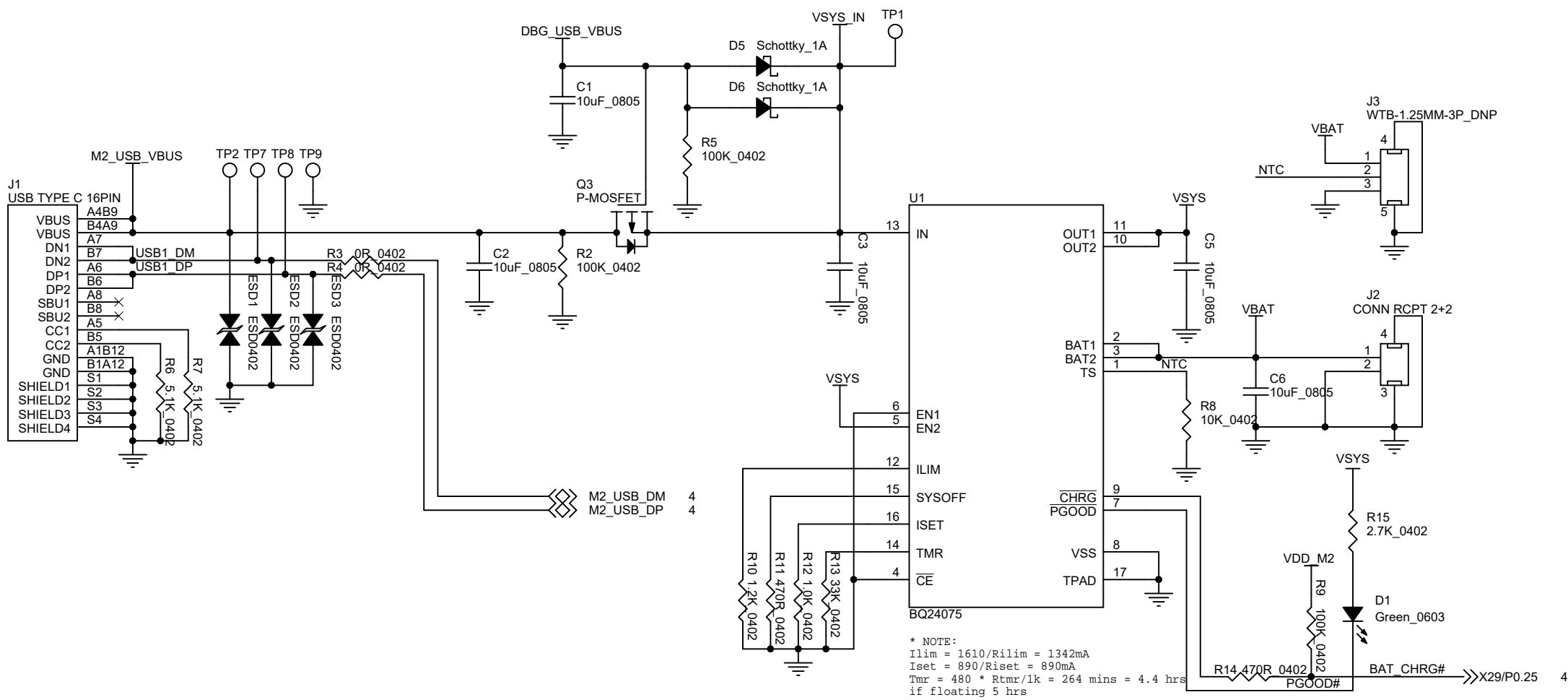
M2-Dock	
<i>Designed for nRF52840 M.2 Module</i>	
Function Description	Page
Title Sheet	1
Power Supply	2
DAPLink & Power Profiler	3
M2 Module Socket	4
microSD Card & SPI LCD	5
Arduino Form Factor	6

Revision History		
Rev.	Changes	Date
V1.0	The first public release	10-Mar-2020

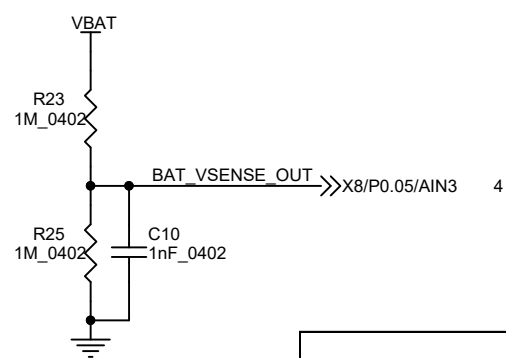
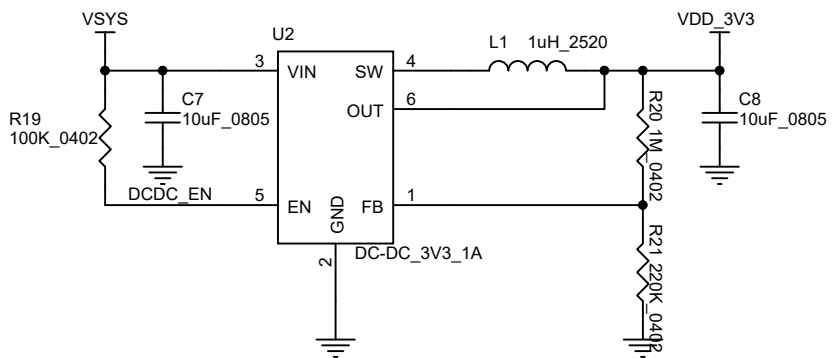


This design document is licensed by Makerdiary under the terms of the Creative Commons Attribution Share-Alike License (ver. 4).

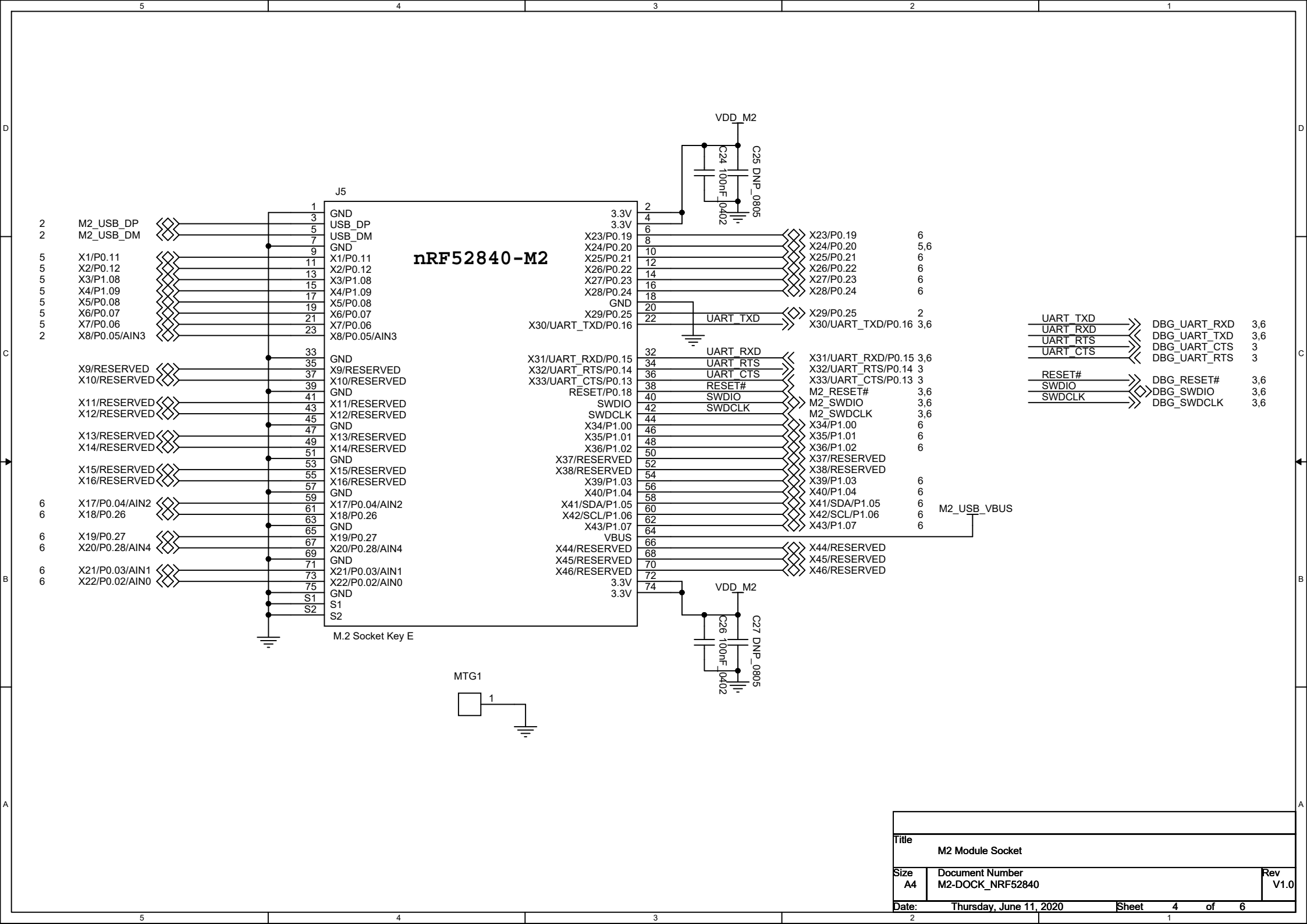
<https://creativecommons.org/licenses/by-sa/4.0/>



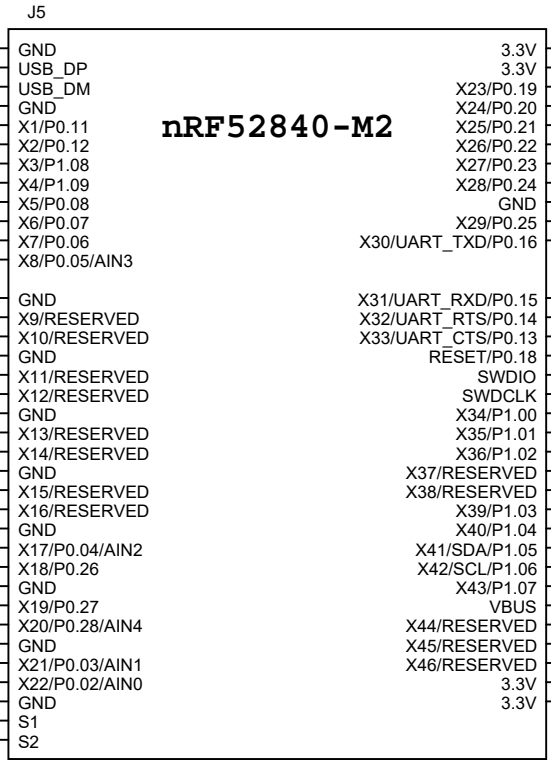
* NOTE: 3.3V, 1A MAX. OUTPUT



Title		
Power Supply		
Size	Document Number	Rev
A4	M2-DOCK_NRF52840	V1.0
Date:	Thursday, June 11, 2020	Sheet 2 of 6



- 2 M2_USB_DP
- 2 M2_USB_DM
- 5 X1/P0.11
- 5 X2/P0.12
- 5 X3/P1.08
- 5 X4/P1.09
- 5 X5/P0.08
- 5 X6/P0.07
- 5 X7/P0.06
- 2 X8/P0.05/AIN3
- X9/RESERVED
- X10/RESERVED
- X11/RESERVED
- X12/RESERVED
- X13/RESERVED
- X14/RESERVED
- X15/RESERVED
- X16/RESERVED
- 6 X17/P0.04/AIN2
- 6 X18/P0.26
- 6 X19/P0.27
- 6 X20/P0.28/AIN4
- 6 X21/P0.03/AIN1
- 6 X22/P0.02/AIN0

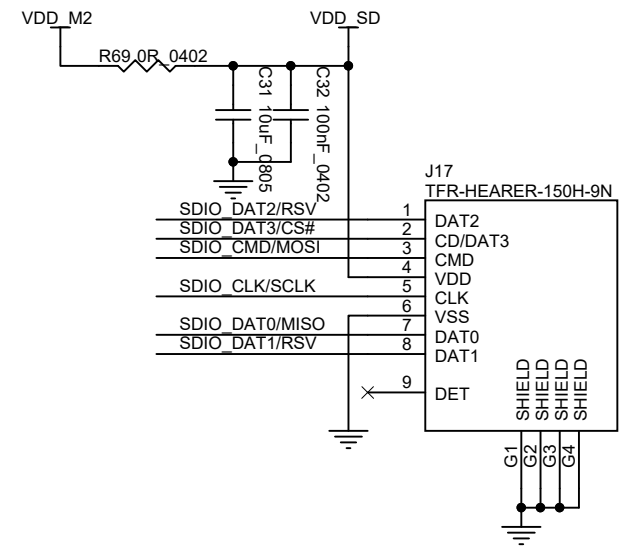
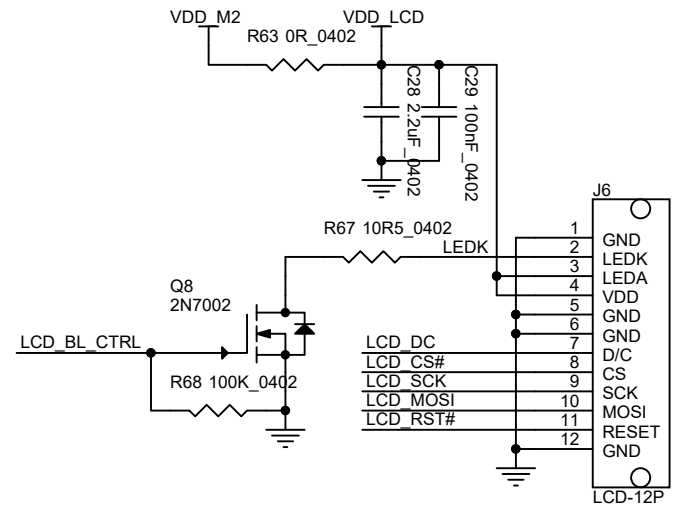


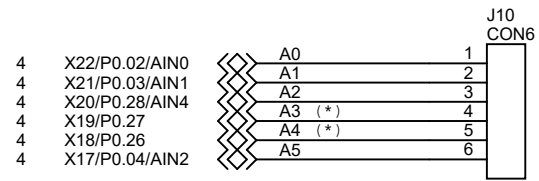
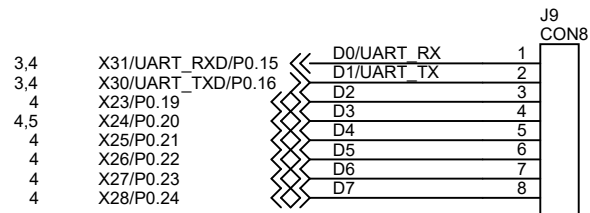
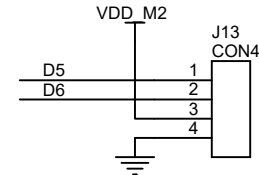
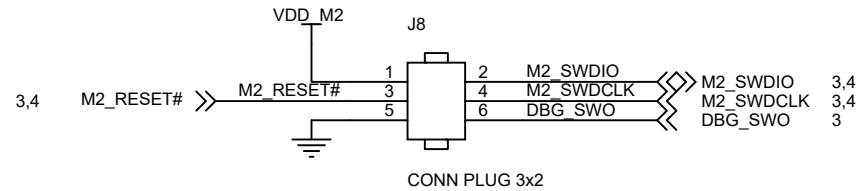
- 3.3V
- 3.3V
- X23/P0.19
- X24/P0.20
- X25/P0.21
- X26/P0.22
- X27/P0.23
- X28/P0.24
- GND
- X29/P0.25
- X30/UART_TXD/P0.16
- X31/UART_RXD/P0.15
- X32/UART_RTS/P0.14
- X33/UART_CTS/P0.13
- RESET#
- SWDIO
- SWDCLK
- X34/P1.00
- X35/P1.01
- X36/P1.02
- X37/RESERVED
- X38/RESERVED
- X39/P1.03
- X40/P1.04
- X41/SDA/P1.05
- X42/SCL/P1.06
- X43/P1.07
- VBUS
- X44/RESERVED
- X45/RESERVED
- X46/RESERVED
- 3.3V
- 3.3V

- UART_TXD
- UART_RXD
- UART_RTS
- UART_CTS
- RESET#
- SWDIO
- SWDCLK
- DBG_UART_RXD
- DBG_UART_TXD
- DBG_UART_CTS
- DBG_UART_RTS
- DBG_RESET#
- DBG_SWDIO
- DBG_SWCLK

Title		
M2 Module Socket		
Size	Document Number	Rev
A4	M2-DOCK_NRF52840	V1.0
Date:	Thursday, June 11, 2020	Sheet 4 of 6

4	X1/P0.11	LCD_SCK	R60 33R_0402	SDIO_CLK/SCLK
4	X2/P0.12	LCD_MOSI	R61 33R_0402	SDIO_CMD/MOSI
4	X3/P1.08	LCD_RST#	R62 33R_0402	SDIO_DAT0/MISO
4	X4/P1.09	LCD_DC	R73 33R_0402	SDIO_DAT1/RSV
4	X5/P0.08	LCD_DC	R74 33R_0402	SDIO_DAT2/RSV
4	X6/P0.07	LCD_CS#	R75 33R_0402	SDIO_DAT3/CS#
4	X7/P0.06	LCD_CS#		
4,6	X24/P0.20	LCD_BL_CTRL		Arduino D3





* NOTE: For nRF52840-M2 module, A3&A4 are mapped to GPIO function.

