

4.2V~5.5V IN ⚠

VIN

5V OUT FROM USB ⚠

5V

3.3V ⚠ 3.3V OUT 800mA Max.

3V3

GND

RST

RESET

CLK

SWCLK

DIO

SWDIO

TDO

TDI

TXD

TXD

RXD

RXD

P3

P2

P31

P30

P29

P28

P27

P26

P25

AIN2

P4

AIN3

P5

P6

P7

P8

NFC1

P9

NFC1

P10

P11

P12

P13

P14

P15

P16

P17

P18

AIN1

AIN0

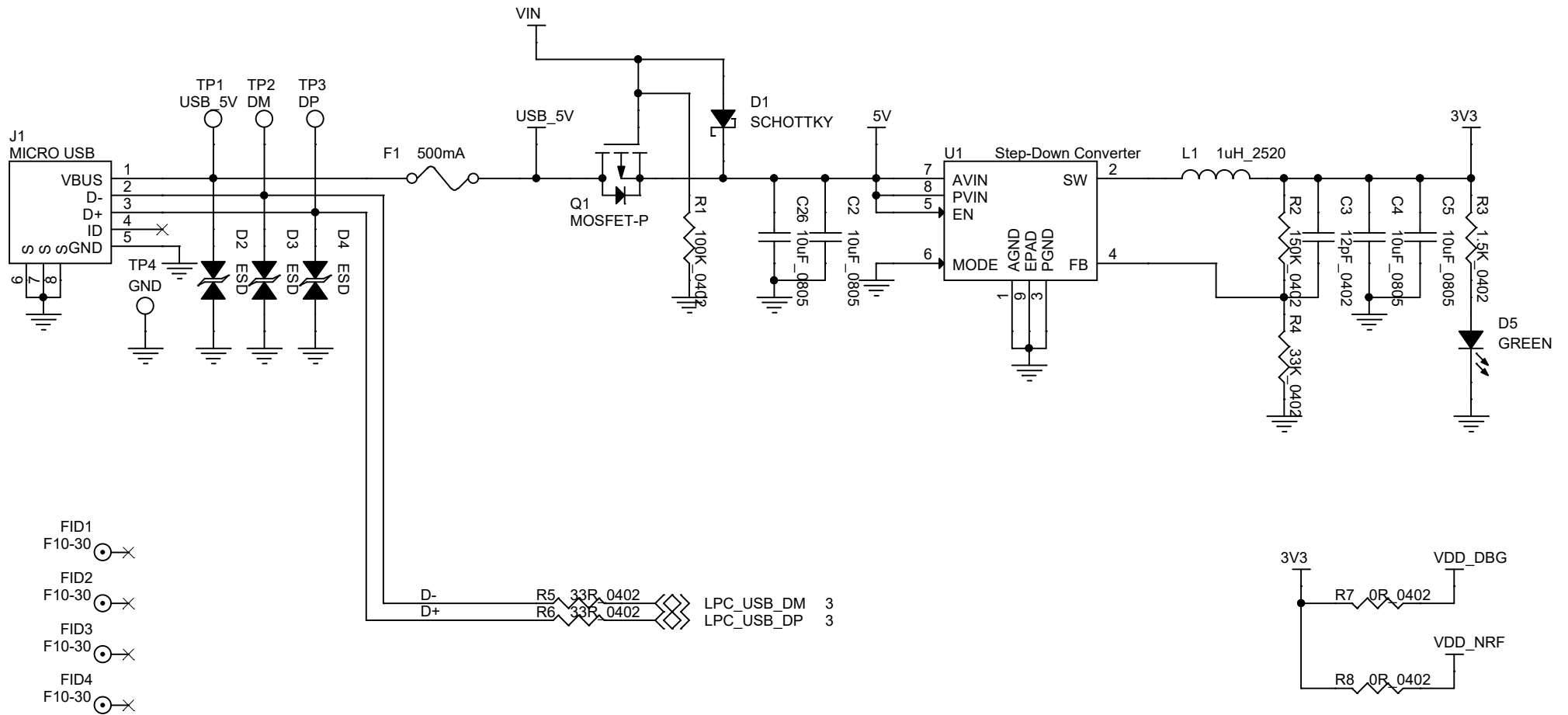
AIN7


AIN6

AIN5

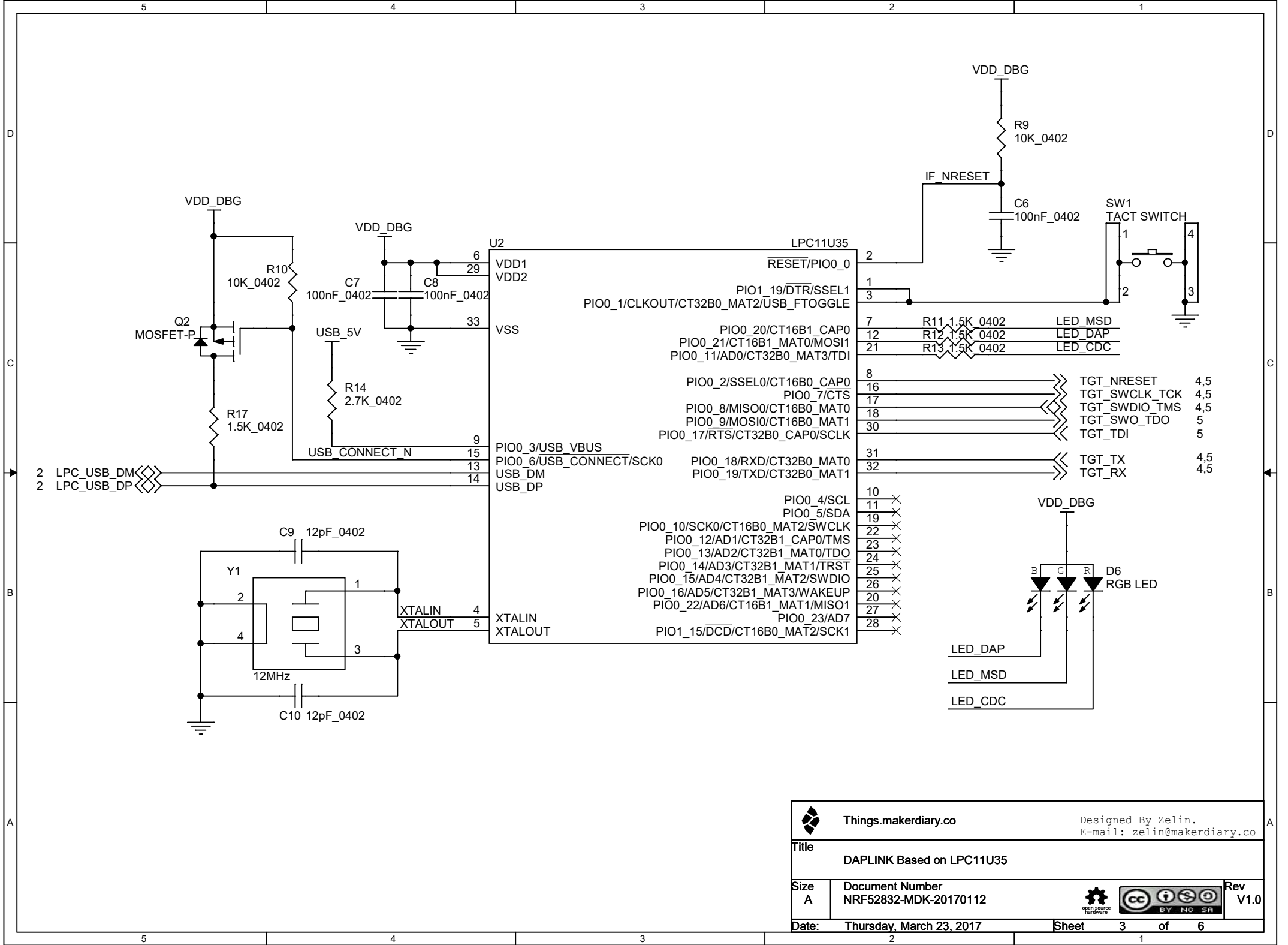
AIN4


- 1 nRF52832 SoC
- 2 DAPLink with LPC11U35
- 3 USB JACK Micro Type B
- 4 ● CDC ● MSD ● DAP
- 5 POWER LED
- 6 RESET BUTTON
- 7 ● P23 ● P22 ● P24 ⚠ Active-Low
- 8 2.4 GHz Bluetooth Antenna

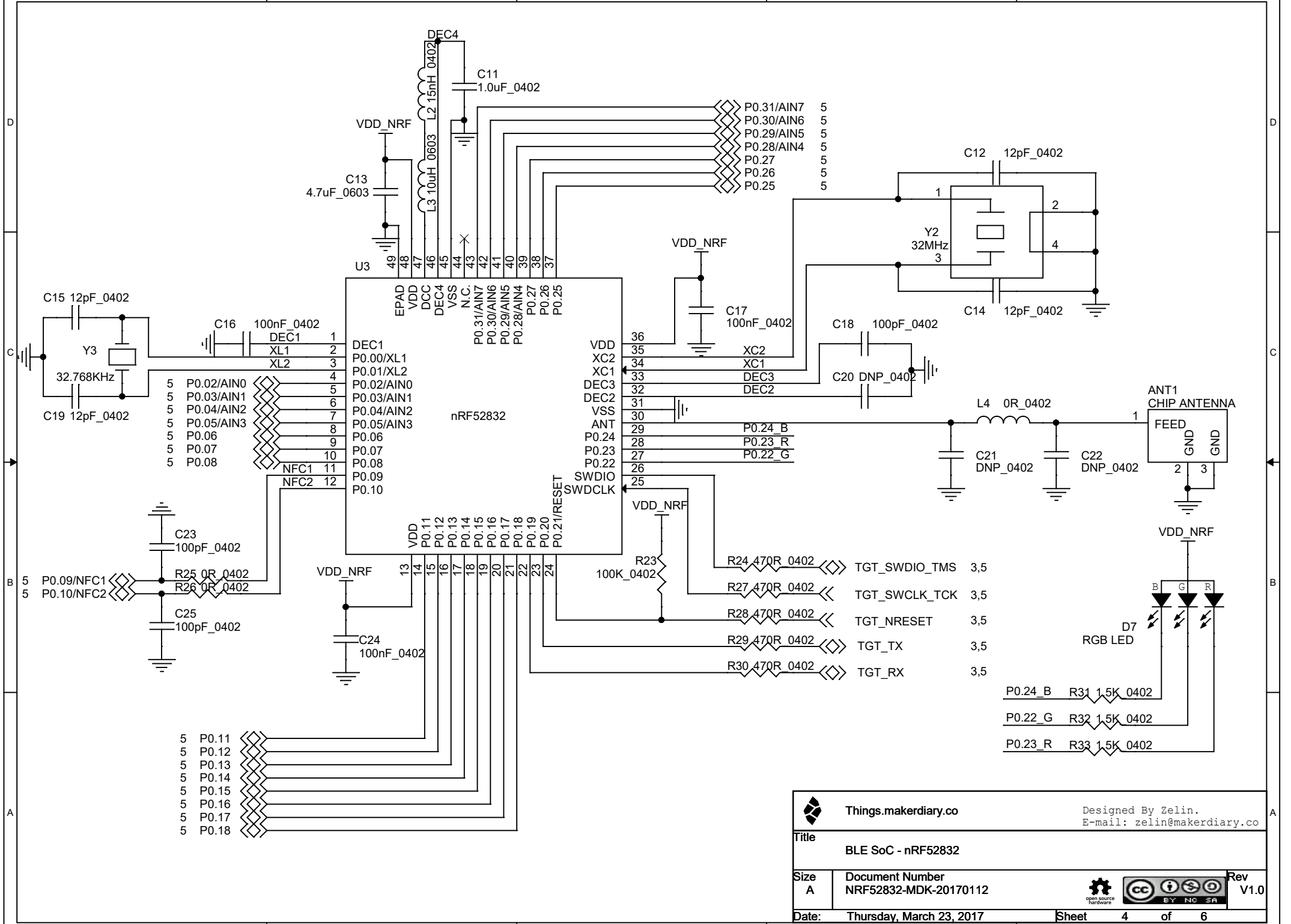


 Things.makerdiary.co		Designed By Zelin. E-mail: zelin@makerdiary.co	
Title Power Supply			
Size A	Document Number NRF52832-MDK-20170112		Rev V1.0
Date: Thursday, March 23, 2017		Sheet 2 of 6	

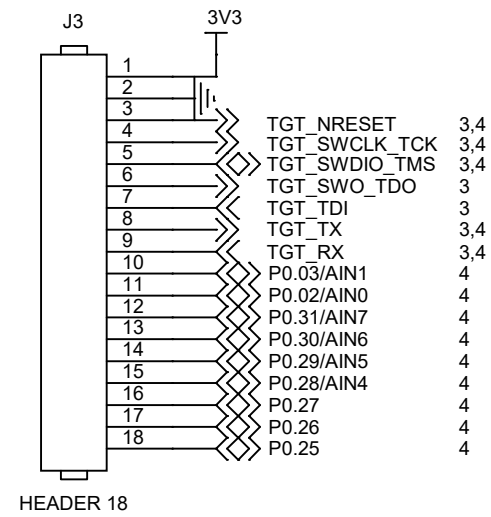
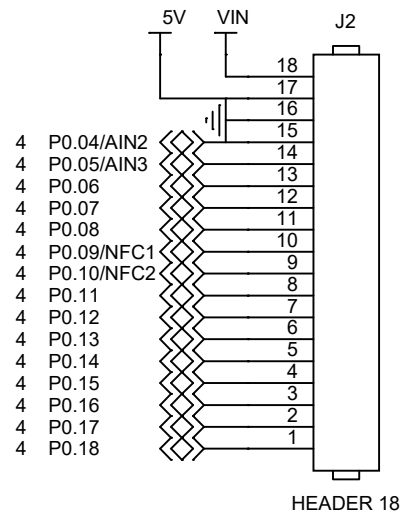






 Things.makerdiary.co		Designed By Zelin. E-mail: zelin@makerdiary.co	
Title DAPLINK Based on LPC11U35			
Size A	Document Number NRF52832-MDK-20170112		Rev V1.0
Date: Thursday, March 23, 2017		Sheet 3 of 6	



		Designed By Zelin. E-mail: zelin@makerdiary.co	
Title BLE SoC - nRF52832			
Size A	Document Number NRF52832-MDK-20170112		Rev V1.0
Date: Thursday, March 23, 2017		Sheet 4 of 6	



 Things.makerdiary.co		Designed By Zelin. E-mail: zelin@makerdiary.co	
Title Extended Ports			
Size A	Document Number NRF52832-MDK-20170112		Rev V1.0
Date: Thursday, March 23, 2017		Sheet 5 of 6	



Date	Version	Page	Item
01/12/2017	V1.0	All	Initial Version Release.