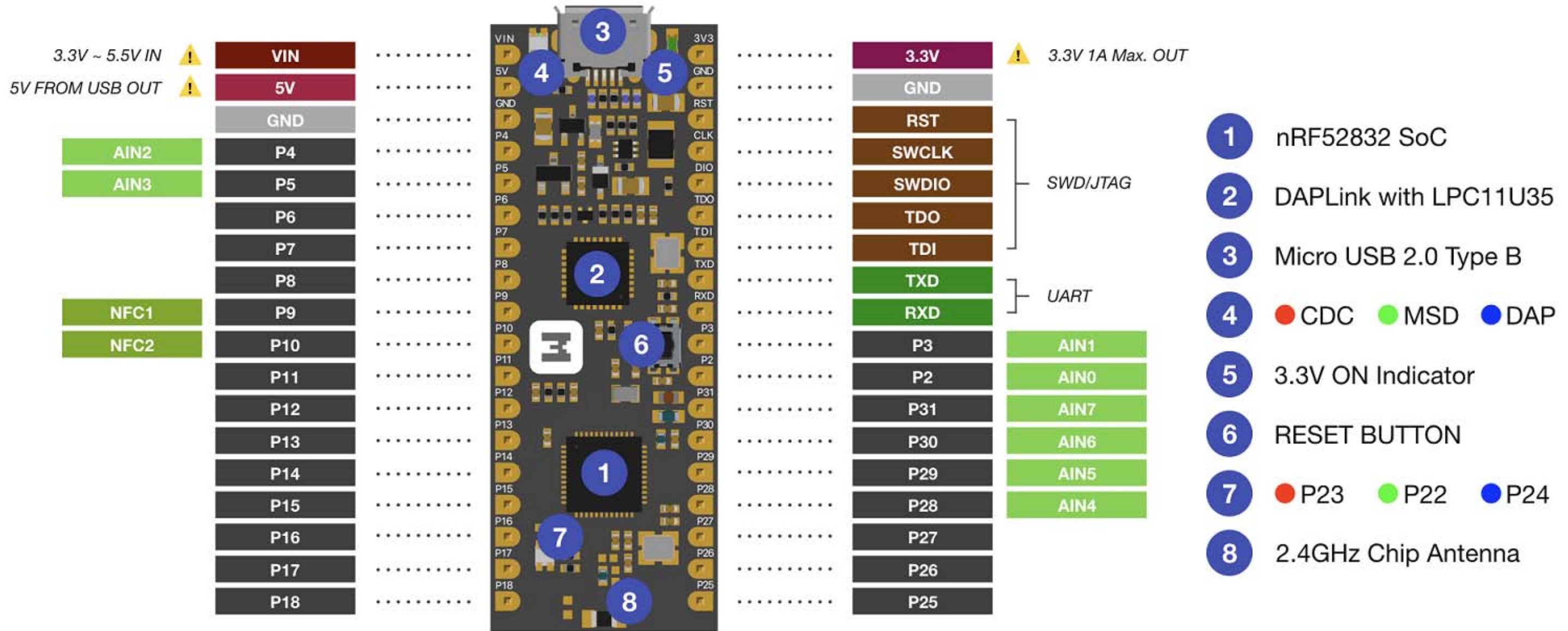
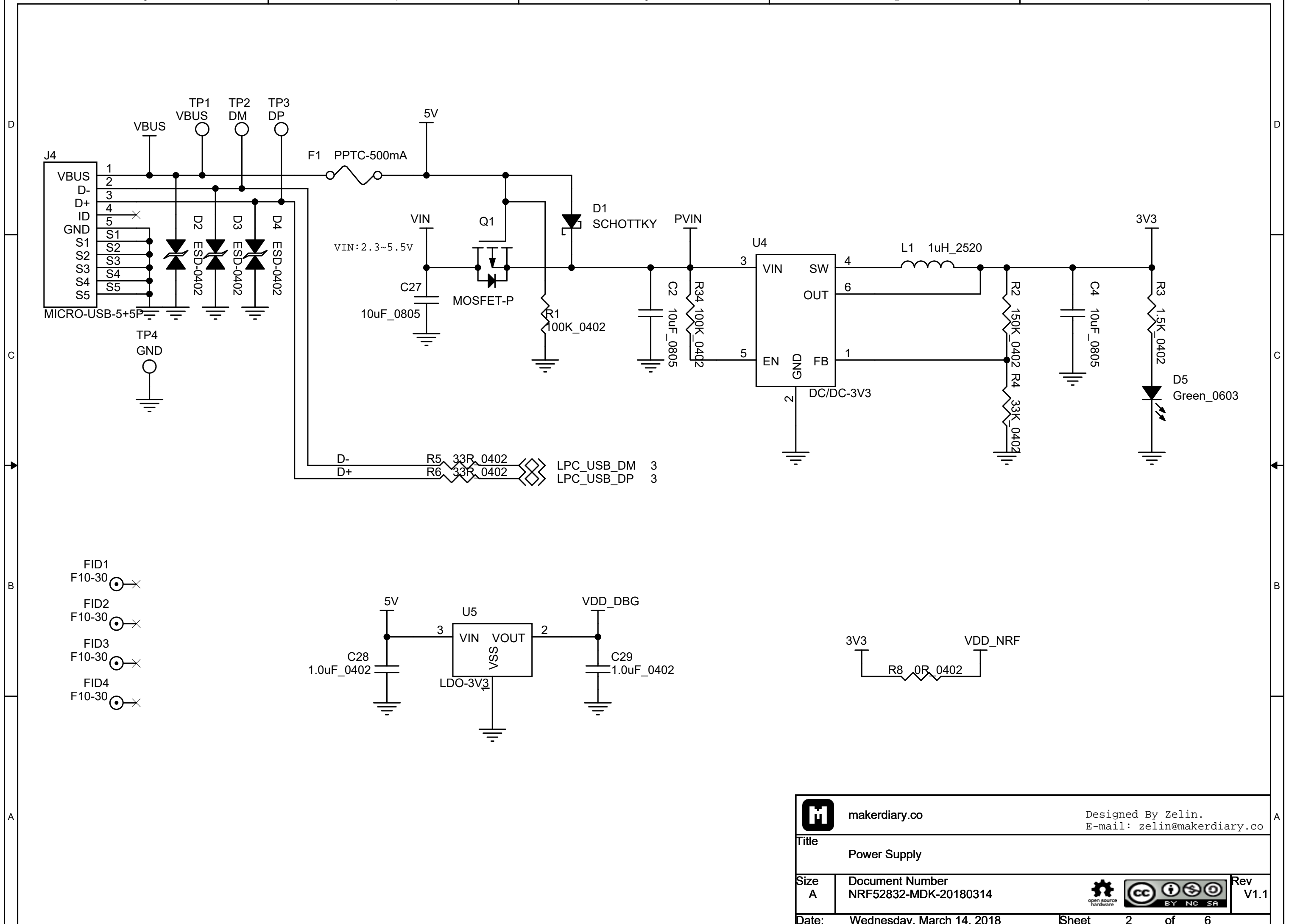


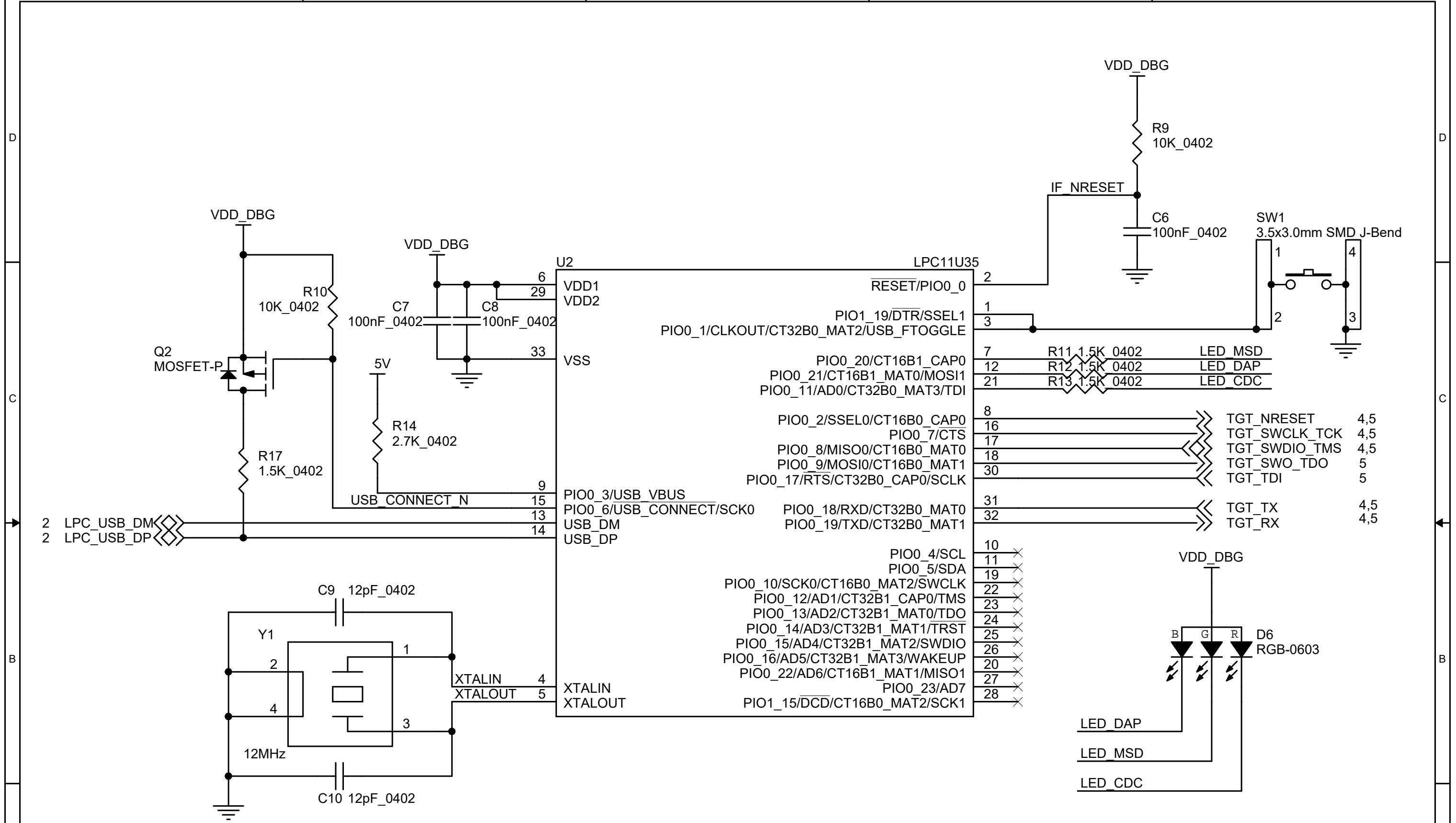




nRF52832-MDK Pinout

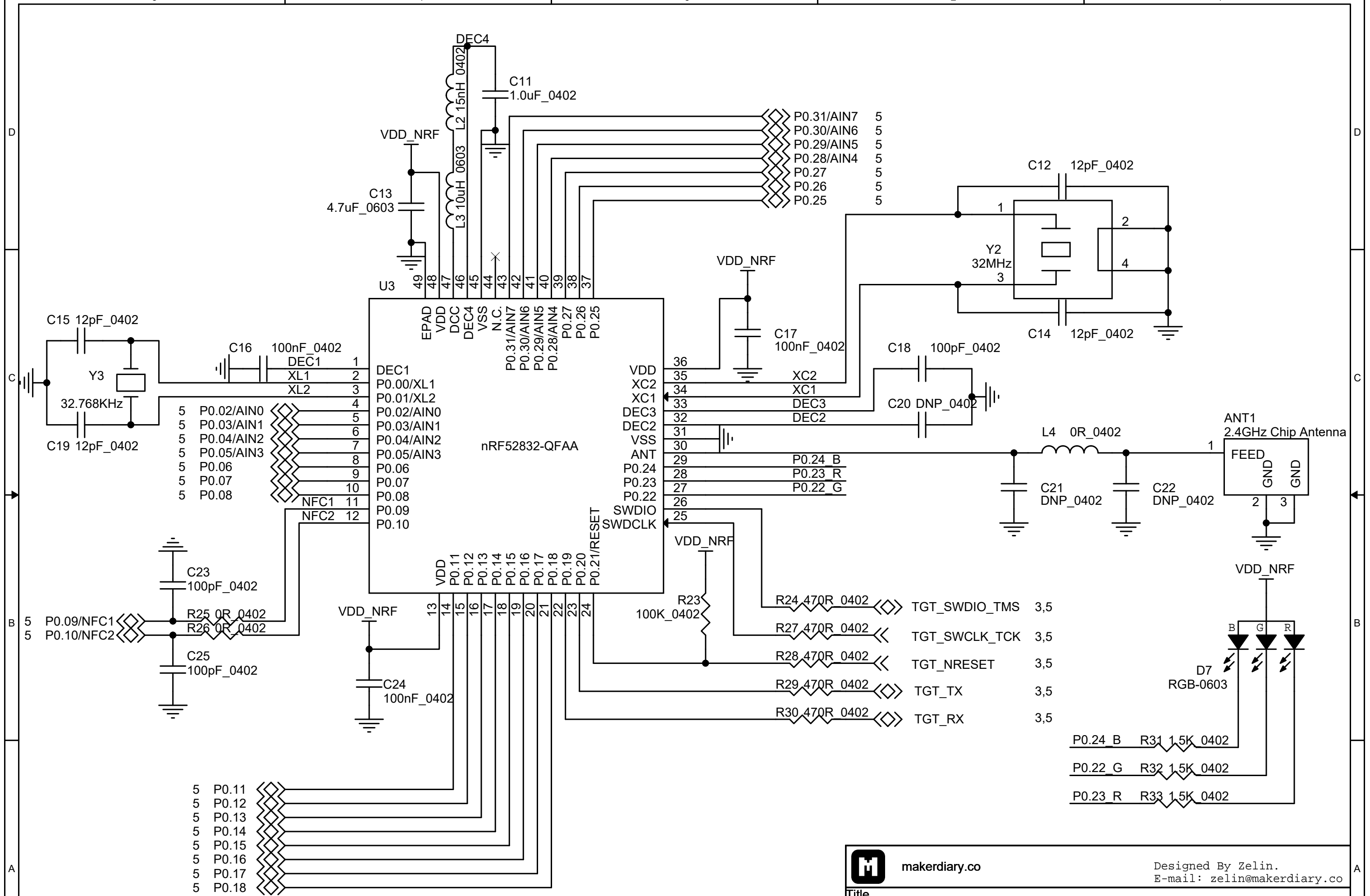





 makerdiary.co		Designed By Zelin. E-mail: zelin@makerdiary.co	
Title Power Supply			
Size A	Document Number NRF52832-MDK-20180314		Rev V1.1
Date: Wednesday, March 14, 2018		Sheet 2 of 6	



 makerdiary.co		Designed By Zelin. E-mail: zelin@makerdiary.co	
Title DAPLINK Based on LPC11U35			
Size A	Document Number NRF52832-MDK-20180314		Rev V1.1
Date: Wednesday, March 14, 2018		Sheet 3 of 6	



 makerdiary.co		Designed By Zelin. E-mail: zelin@makerdiary.co	
Title BLE SoC - nRF52832			
Size A	Document Number NRF52832-MDK-20180314		Rev V1.1
Date: Wednesday, March 14, 2018		Sheet 4 of 6	



D

D

C

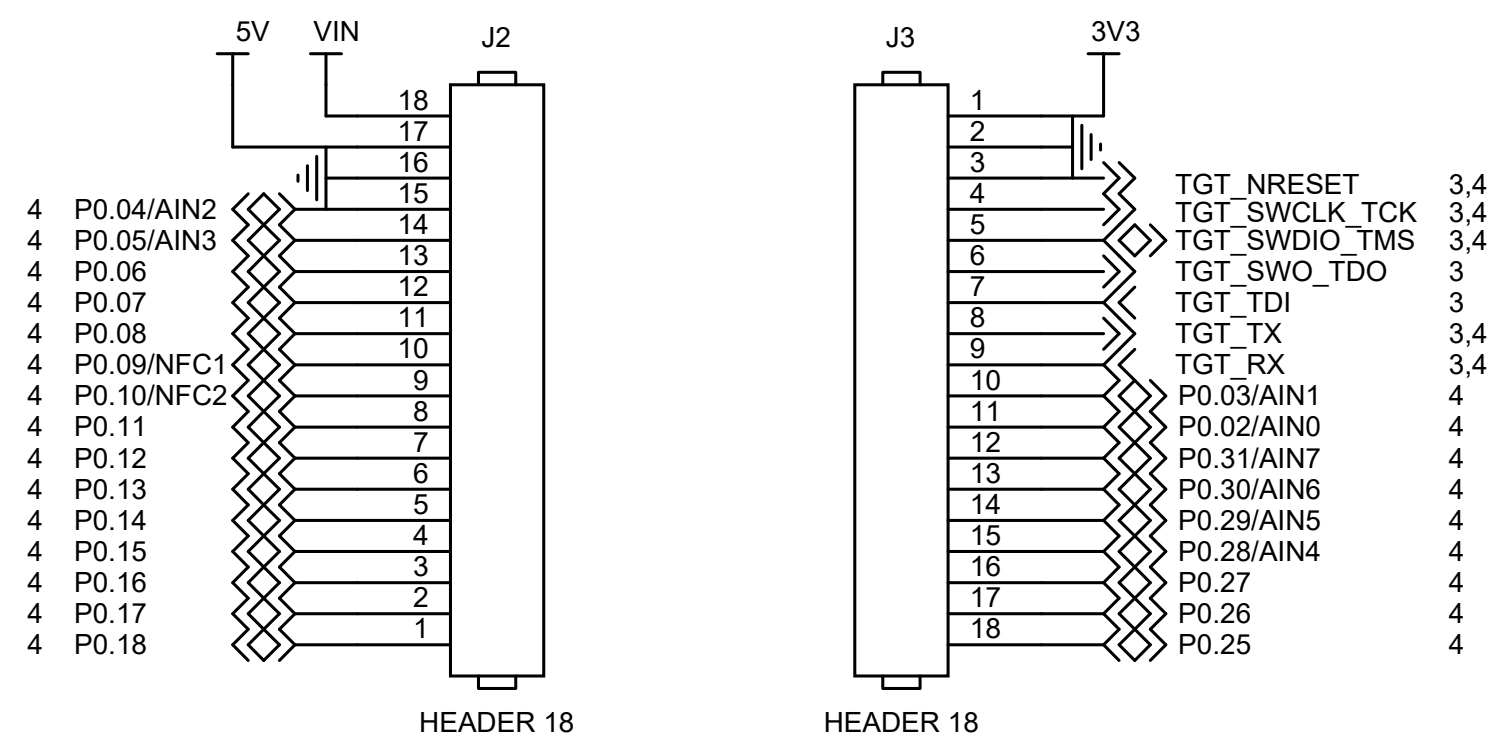
C



B

B

A

A



 makerdiary.co		Designed By Zelin. E-mail: zelin@makerdiary.co	
Title Extended Ports			
Size A	Document Number NRF52832-MDK-20180314		Rev V1.1
Date: Wednesday, March 14, 2018		Sheet 5 of 6	

Date	Version	Page	Brief Description
01/12/2017	V1.0	All	Initial Version Release.
03/14/2018	V1.1	P2	Add an extra 3.3V LDO for DAPLink and DC/DC with low quiescent current, which is designed for low power consumption especially.