


nRF52840 Connect Kit	
Chip Antenna & U.FL Receptacle	
Function Description	Page
Title Sheet	1
Power Supply	2
nRF52840 MCU	3
Pinout	4
Miscellaneous	5

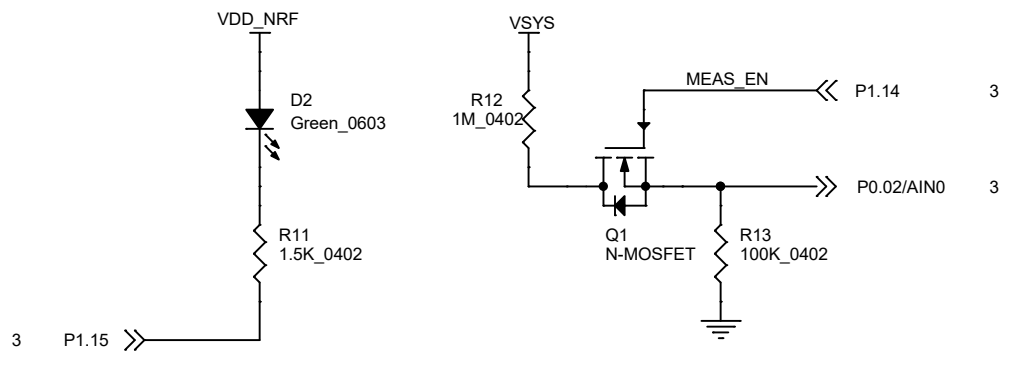
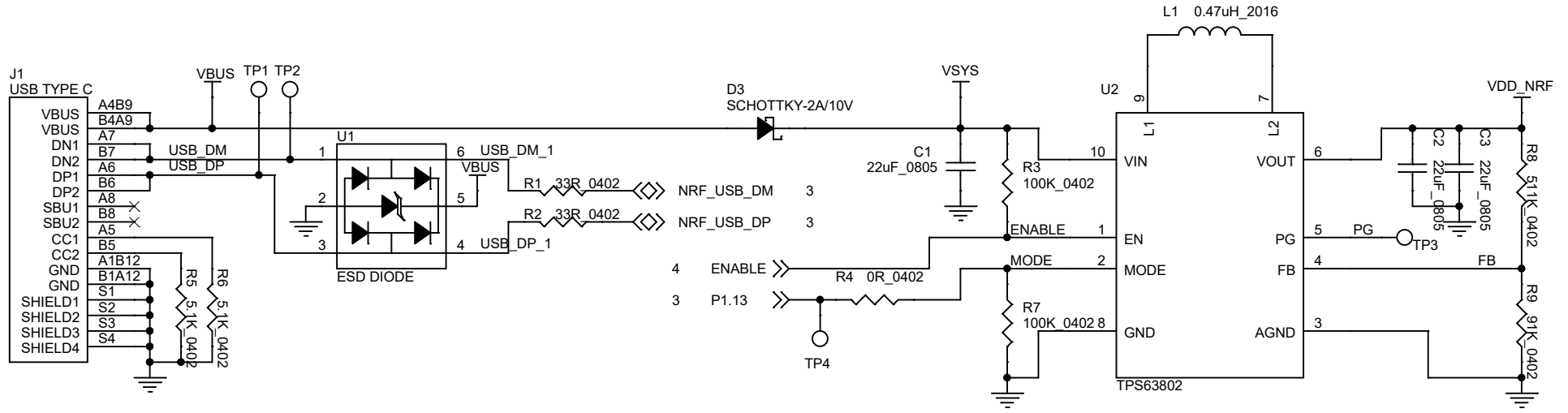
Revision History		
Rev.	Changes	Date
V1.0	The initial public release	19-Apr-2022




This design document is licensed by Makerdiary under the terms of the Creative Commons Attribution Share-Alike License (ver. 4).

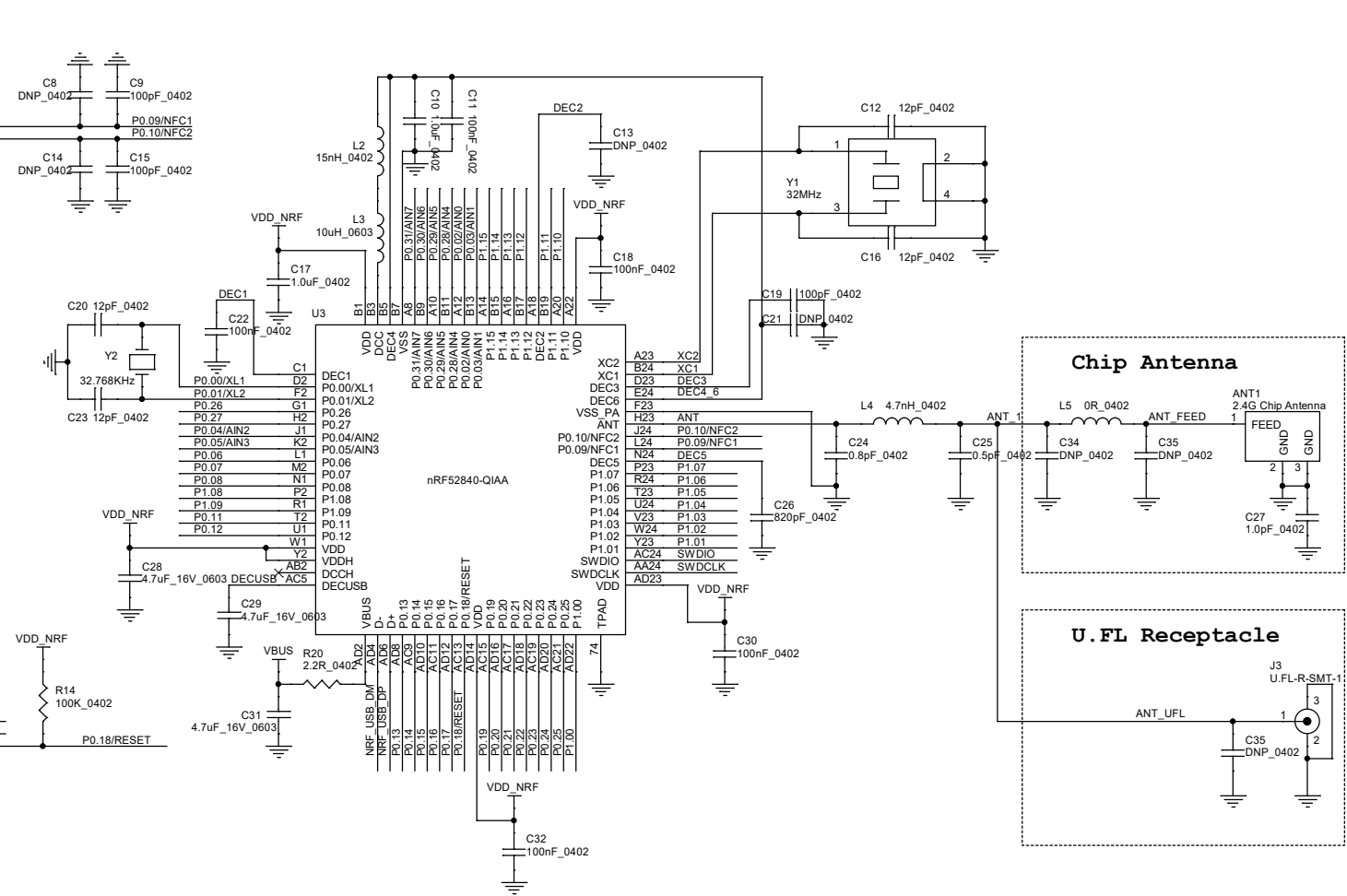
<https://creativecommons.org/licenses/by-sa/4.0/>

		https://makerdiary.com
Title Title Sheet		
Size A4	Document Number NCK52840SCH	Rev V1.0
Date: 19-Apr-2022		Sheet 1 of 5



 makerdiary		https://makerdiary.com
Title Power Supply		
Size A4	Document Number NCK52840SCH	Rev V1.0
Date: 19-Apr-2022	Sheet 2	of 5

2	P0.00/XL1	P0.00/XL1
2	P0.01/XL2	P0.01/XL2
4	P0.02/AIN0	P0.02/AIN0
4	P0.03/AIN1	P0.03/AIN1
4	P0.04/AIN2	P0.04/AIN2
4	P0.05/AIN3	P0.05/AIN3
4	P0.06	P0.06
4	P0.07	P0.07
4	P0.08	P0.08
4	P0.09/NFC1	P0.09/NFC1
4	P0.10/NFC2	P0.10/NFC2
4	P0.11	P0.11
4	P0.12	P0.12
4	P0.13	P0.13
4	P0.14	P0.14
4	P0.15	P0.15
4	P0.16	P0.16
4	P0.17	P0.17
5	P0.19	P0.19
5	P0.20	P0.20
5	P0.21	P0.21
5	P0.22	P0.22
5	P0.23	P0.23
5	P0.24	P0.24
4	P0.25	P0.25
4	P0.26	P0.26
4	P0.27	P0.27
4	P0.28/AIN4	P0.28/AIN4
4	P0.29/AIN5	P0.29/AIN5
4	P0.30/AIN6	P0.30/AIN6
4	P0.31/AIN7	P0.31/AIN7
5	P1.00	P1.00
4	P1.01	P1.01
4	P1.02	P1.02
4	P1.03	P1.03
4	P1.04	P1.04
4	P1.05	P1.05
4	P1.06	P1.06
4	P1.07	P1.07
4	P1.08	P1.08
4	P1.09	P1.09
4	P1.10	P1.10
5	P1.11	P1.11
5	P1.12	P1.12
2	P1.13	P1.13
2	P1.14	P1.14
2	P1.15	P1.15
2	NRF_USB_DM	NRF_USB_DM
2	NRF_USB_DP	NRF_USB_DP
4	SWDCLK	SWDCLK
4	SWDIO	SWDIO
4.5	P0.18/RESET	P0.18/RESET



2 ENABLE <<----- ENABLE

