

nRF52840 M.2 Module

Function Description	Page
Title Sheet	1
nRF52840 SoC	2
M.2 Module Key-E	3
64Mbit QSPI Flash & RGB LED	4

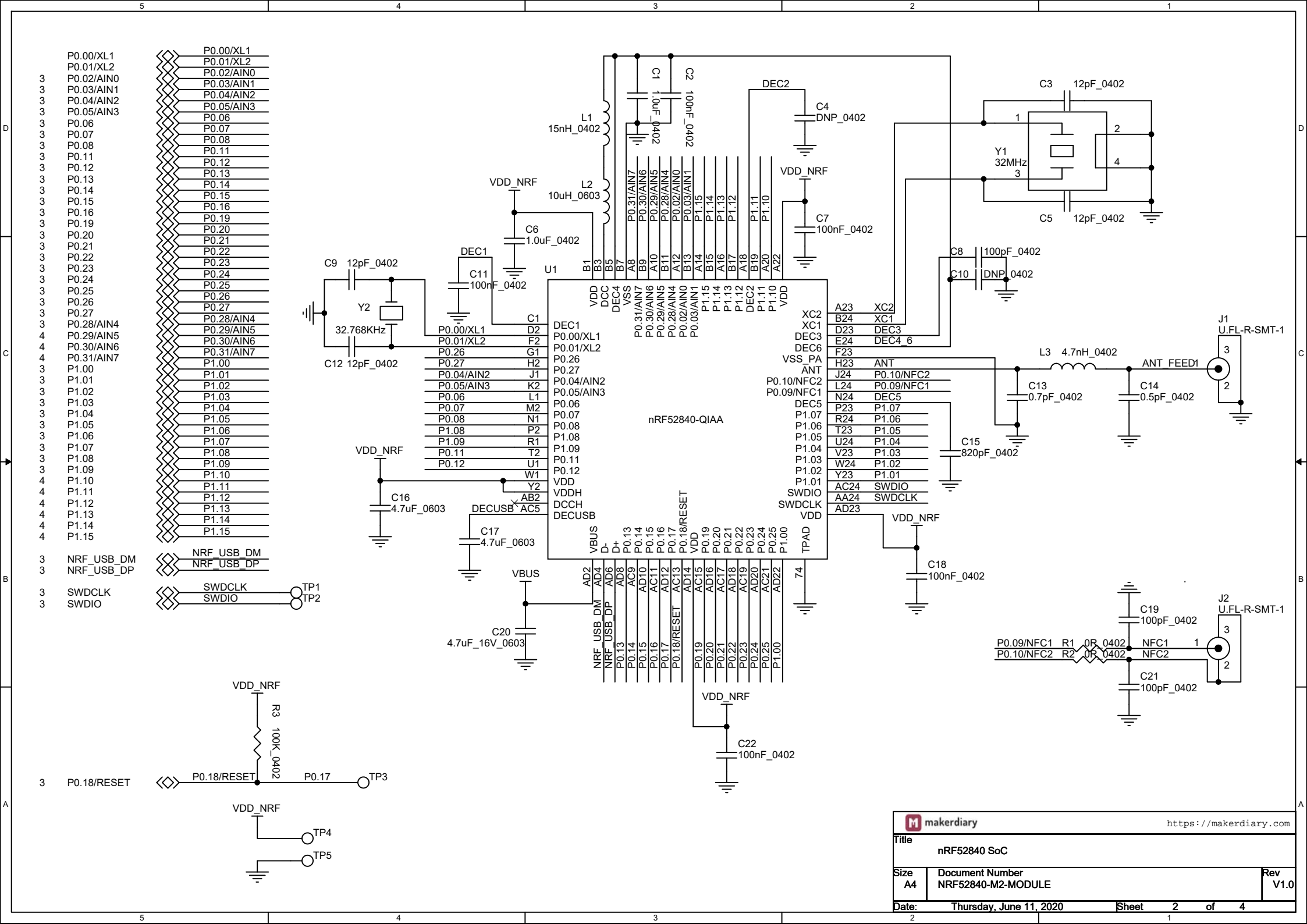
Revision History

Rev.	Changes	Date
V1.0	The first public release	10-Mar-2020



This design document is licensed by Makerdiary under the terms of the Creative Commons Attribution Share-Alike License (ver. 4).

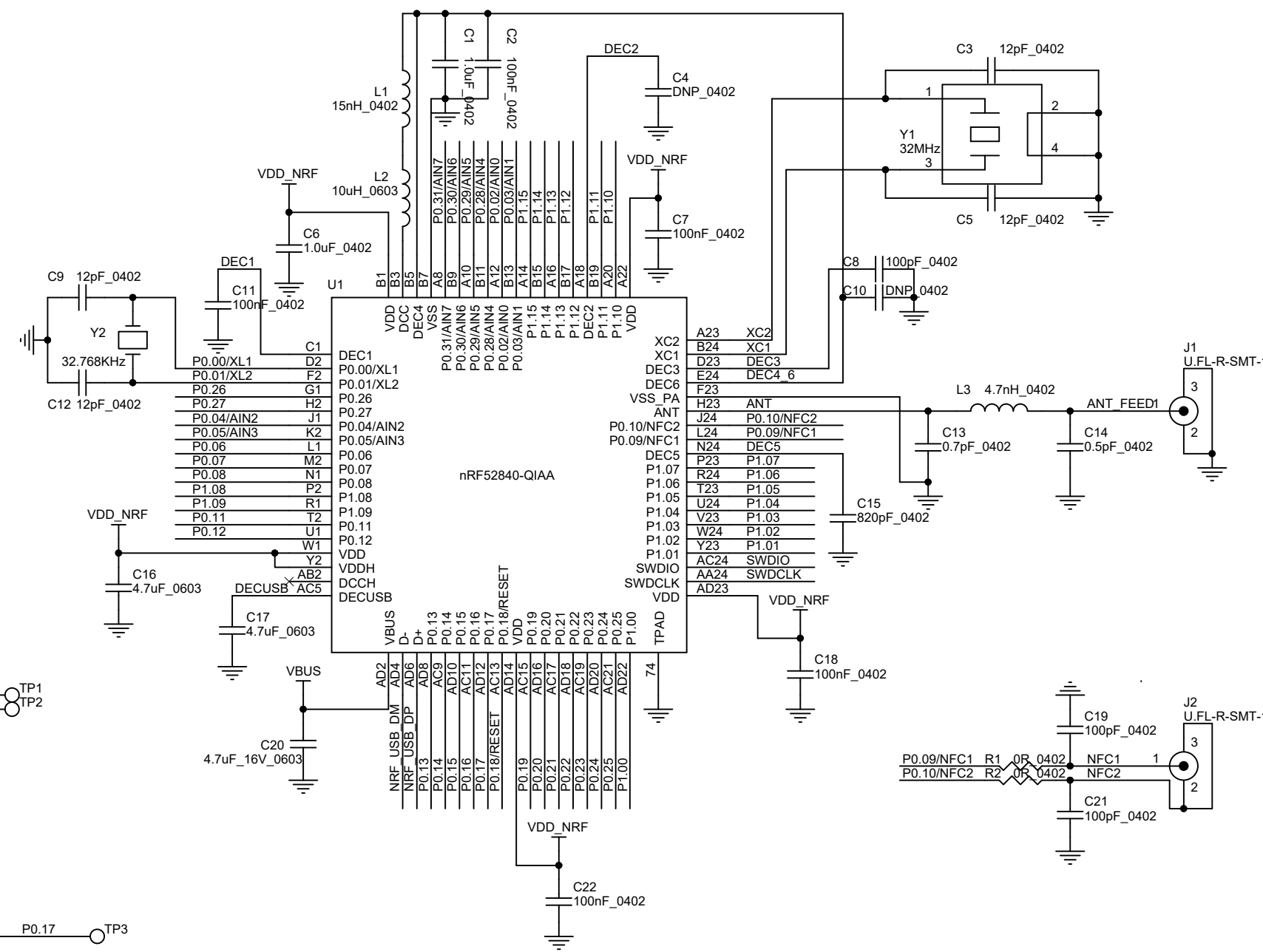
<https://creativecommons.org/licenses/by-sa/4.0/>



- 3 P0.00/XL1
- 3 P0.01/XL2
- 3 P0.02/AIN0
- 3 P0.03/AIN1
- 3 P0.04/AIN2
- 3 P0.05/AIN3
- 3 P0.06
- 3 P0.07
- 3 P0.08
- 3 P0.11
- 3 P0.12
- 3 P0.13
- 3 P0.14
- 3 P0.15
- 3 P0.16
- 3 P0.19
- 3 P0.20
- 3 P0.21
- 3 P0.22
- 3 P0.23
- 3 P0.24
- 3 P0.25
- 3 P0.26
- 3 P0.27
- 3 P0.28/AIN4
- 3 P0.29/AIN5
- 3 P0.30/AIN6
- 3 P0.31/AIN7
- 3 P1.00
- 3 P1.01
- 3 P1.02
- 3 P1.03
- 3 P1.04
- 3 P1.05
- 3 P1.06
- 3 P1.07
- 3 P1.08
- 3 P1.09
- 3 P1.10
- 3 P1.11
- 3 P1.12
- 3 P1.13
- 3 P1.14
- 3 P1.15

- 3 NRF_USB_DM
- 3 NRF_USB_DP
- 3 SWDCLK
- 3 SWDIO

- 3 P0.18/RESET



M makerdiary		https://makerdiary.com
Title nRF52840 SoC		
Size A4	Document Number NRF52840-M2-MODULE	Rev V1.0
Date: Thursday, June 11, 2020	Sheet 2	of 4

