


nRF52840 MDK USB Dongle	
A small, low-cost USB Dongle designed with nRF52840	
Function Description	Page
Title Sheet	1
Power Supply	2
nRF52840 Core	3
Miscellaneous	4

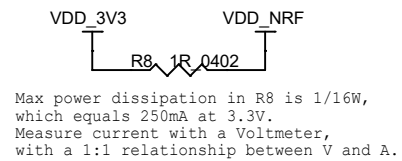
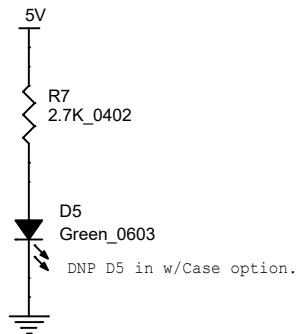
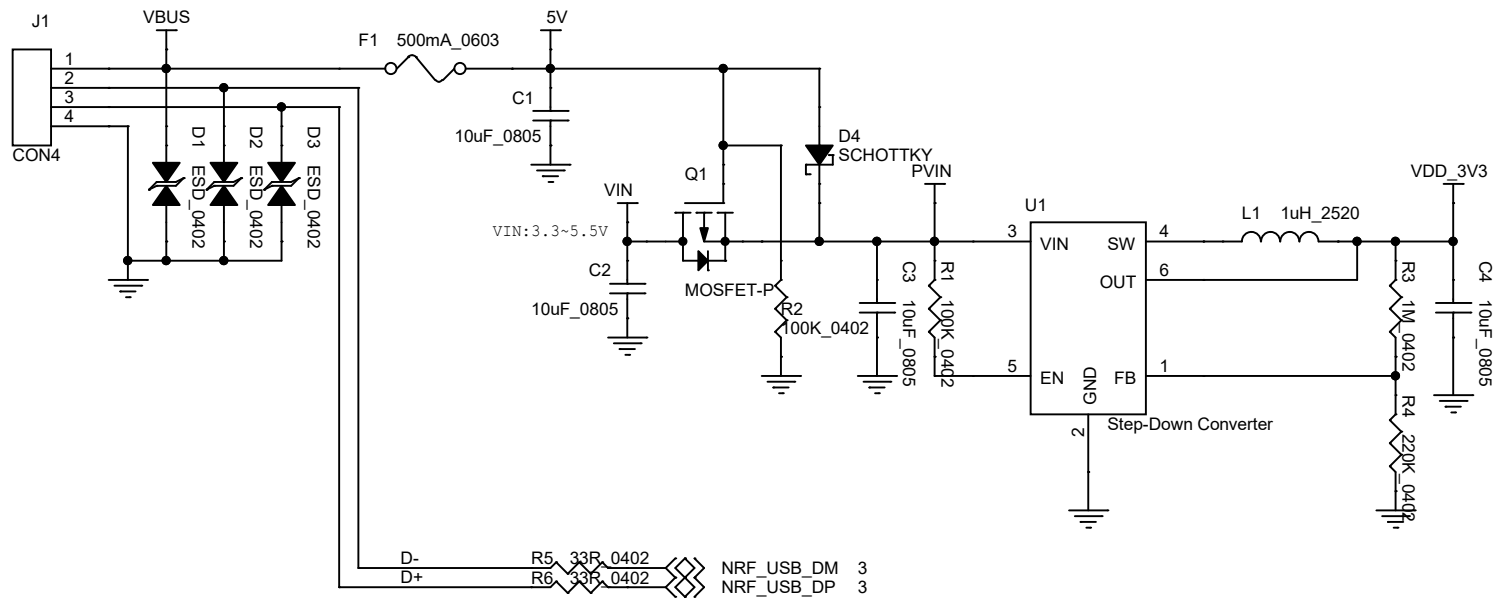
Revision History		
Rev.	Description	Date
V1.0	The first release version.	2018-09-05
V1.1	<ol style="list-style-type: none"> 1. Connect P0.16 & P0.18 to support self-reset. 2. Change L4 to 4.7nH to improve harmonic uppression. 3. DNP Green-LED(D5) in w/Case option. 4. Change R12,R13,R14,R15 to 1.5K. 	2020-10-27

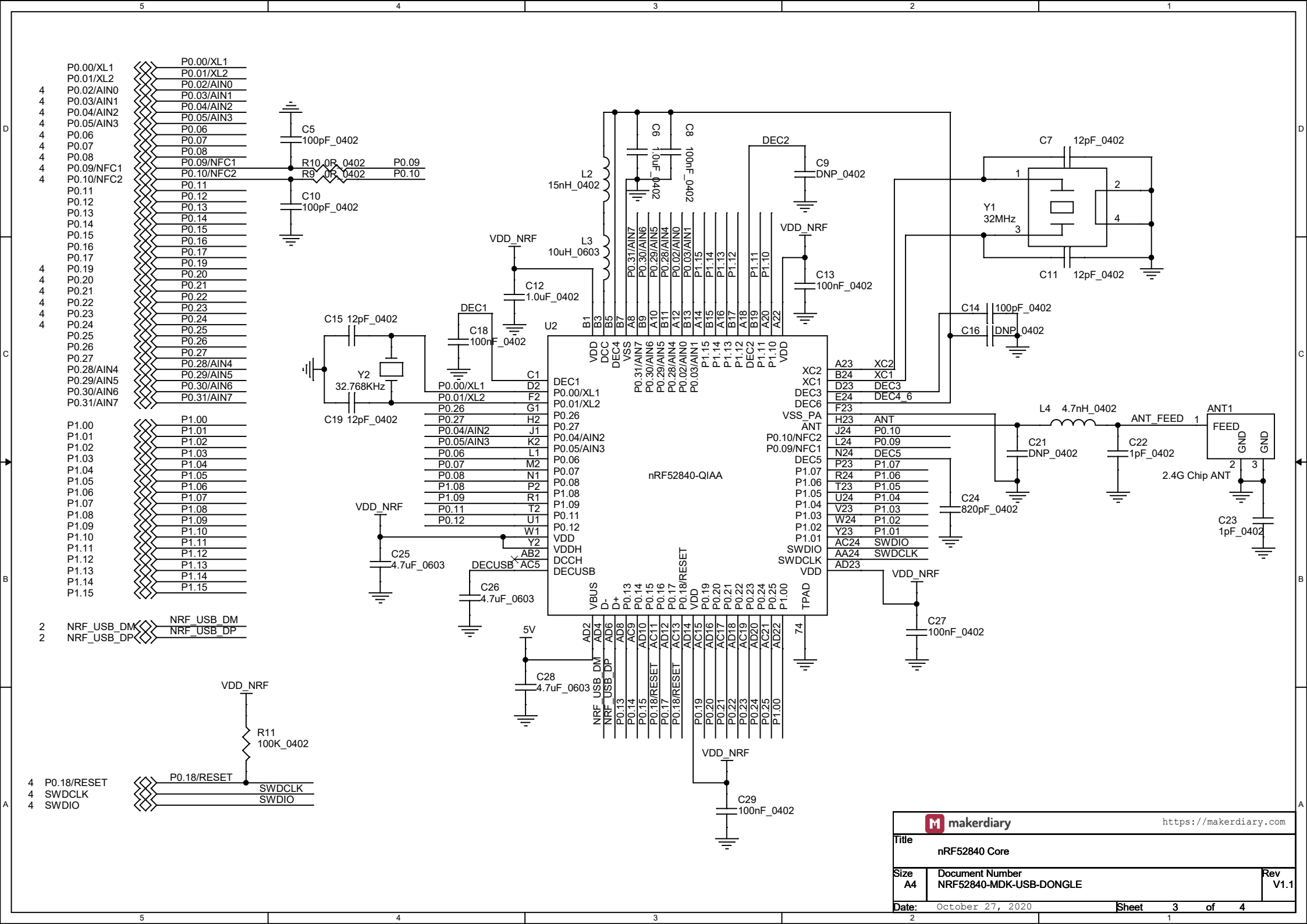



This design document is licensed by Makerdiary under the terms of the Creative Commons Attribution Share-Alike License (ver. 4).

<https://creativecommons.org/licenses/by-sa/4.0/>

 makerdiary		https://makerdiary.com
Title Sheet		
Size A4	Document Number NRF52840-MDK-US B-DONGLE	Rev V1.1
Date: October 27, 2020	Sheet 1	of 4





 makerdiary		https://makerdiary.com
Title nRF52840 Core		
Size A4	Document Number NRF52840-MDK-USB-DONGLE	Rev V1.1
Date October 27, 2020	Sheet 3	of 4

