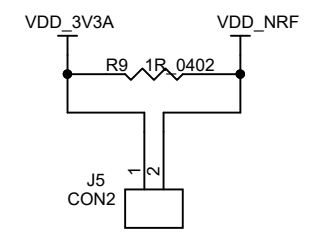
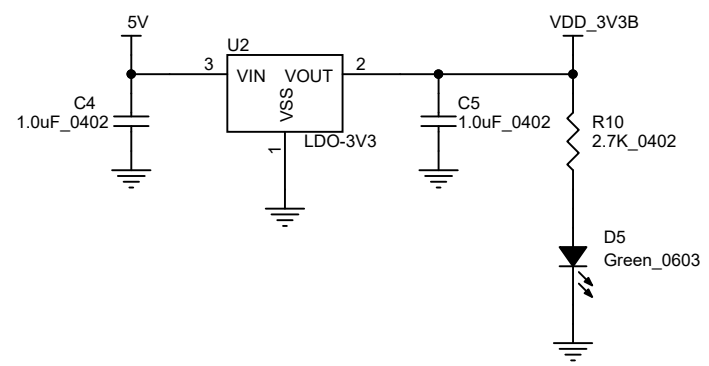
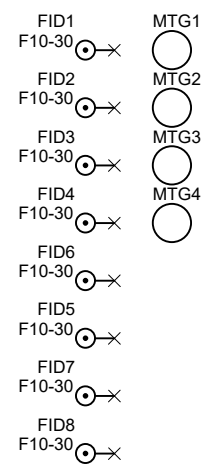
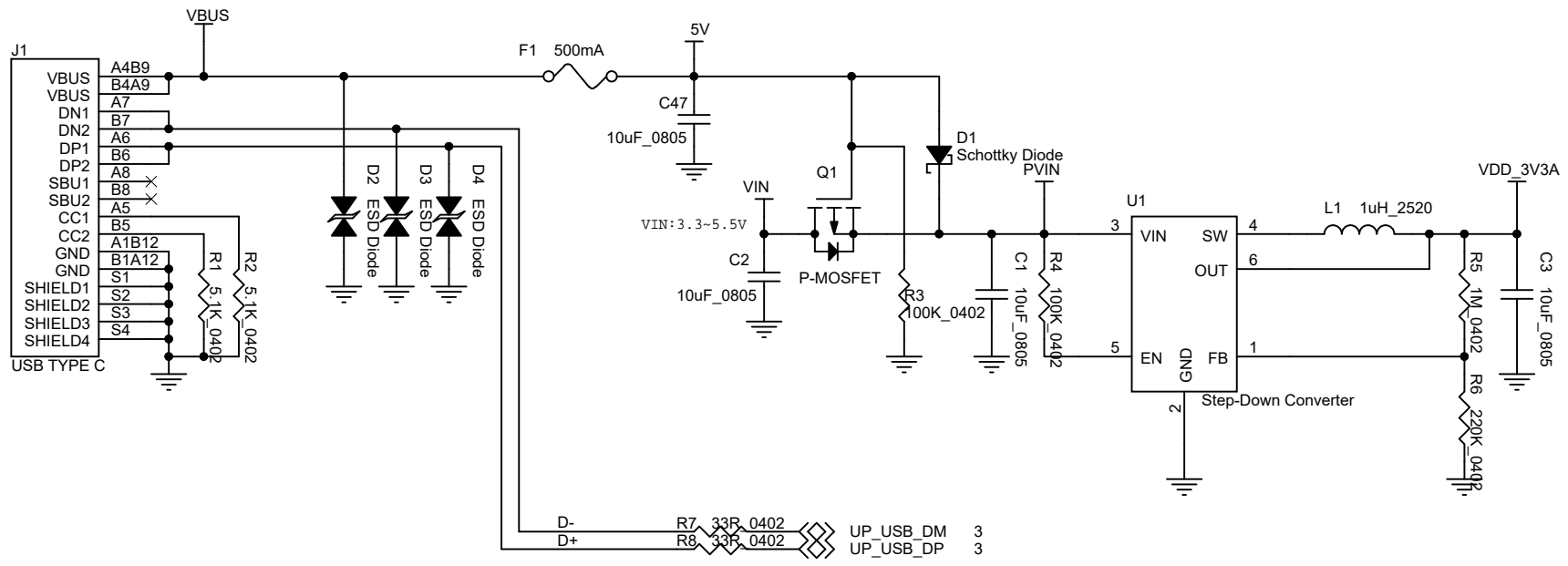


| | |
|---|-------------|
| nRF52840-MDK V1.0 | |
| An Open-Source, Micro Development Kit for IoT Applications using the nRF52840 SoC | |
| Function Description | Page |
| Title Sheet | 1 |
| Power Supply | 2 |
| USB 2.0 Hub | 3 |
| DAPLink | 4 |
| nRF52840 Core | 5 |
| Miscellaneous | 6 |
| Expansion Headers | 7 |
| | |
| | |
| | |

| | |
|-------------------------|--------------------|
| Revision History | |
| Rev. | Description |
| V1.0 | The First Release |
| | |
| | |
| | |
| | |
| | |



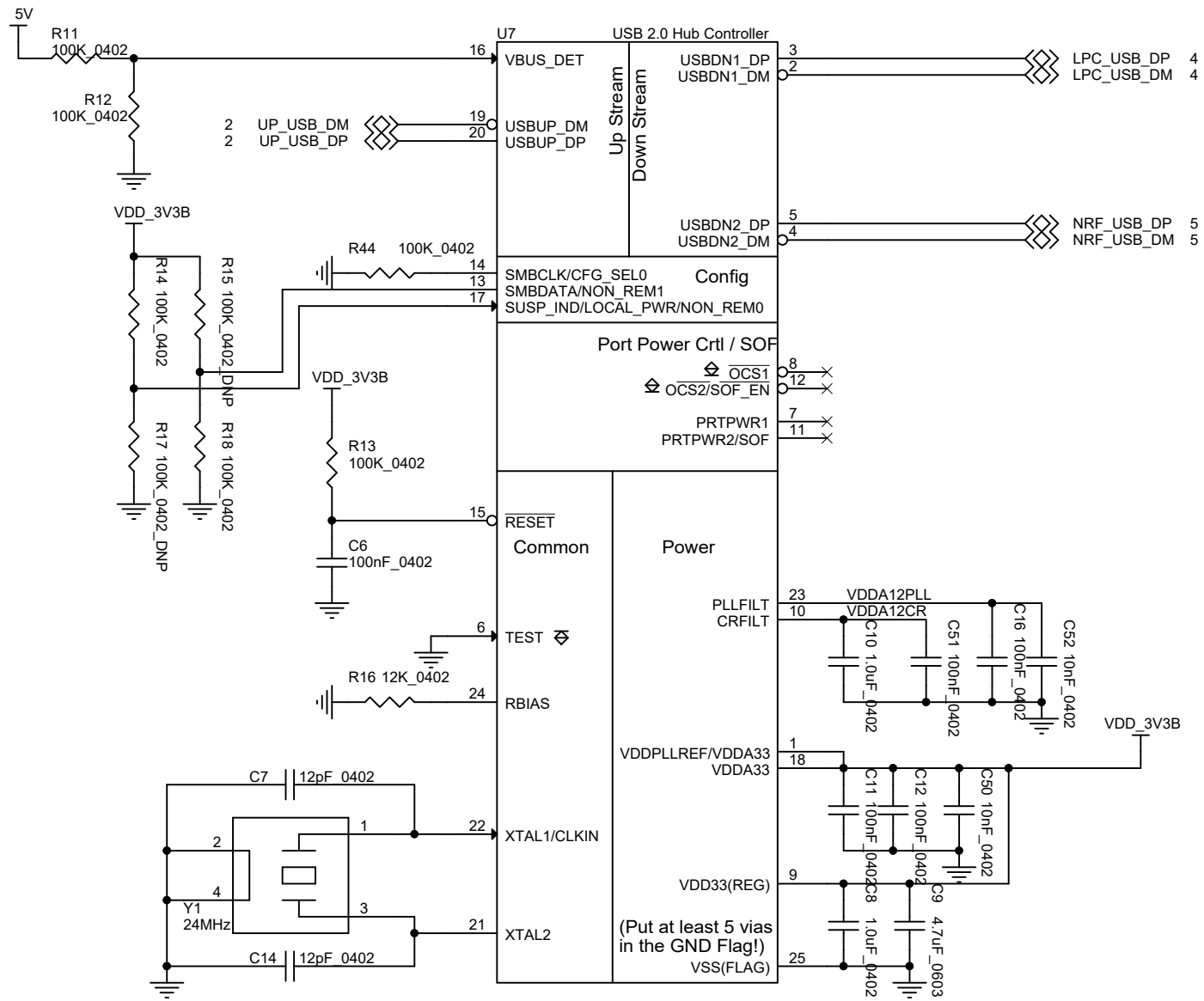
Max power dissipation in R9 is 1/16W, which equals 250mA at 3.3V. Measure current with a Voltmeter, with a 1:1 relationship between V and A.

Designed By: Zelin

Title Power Supply

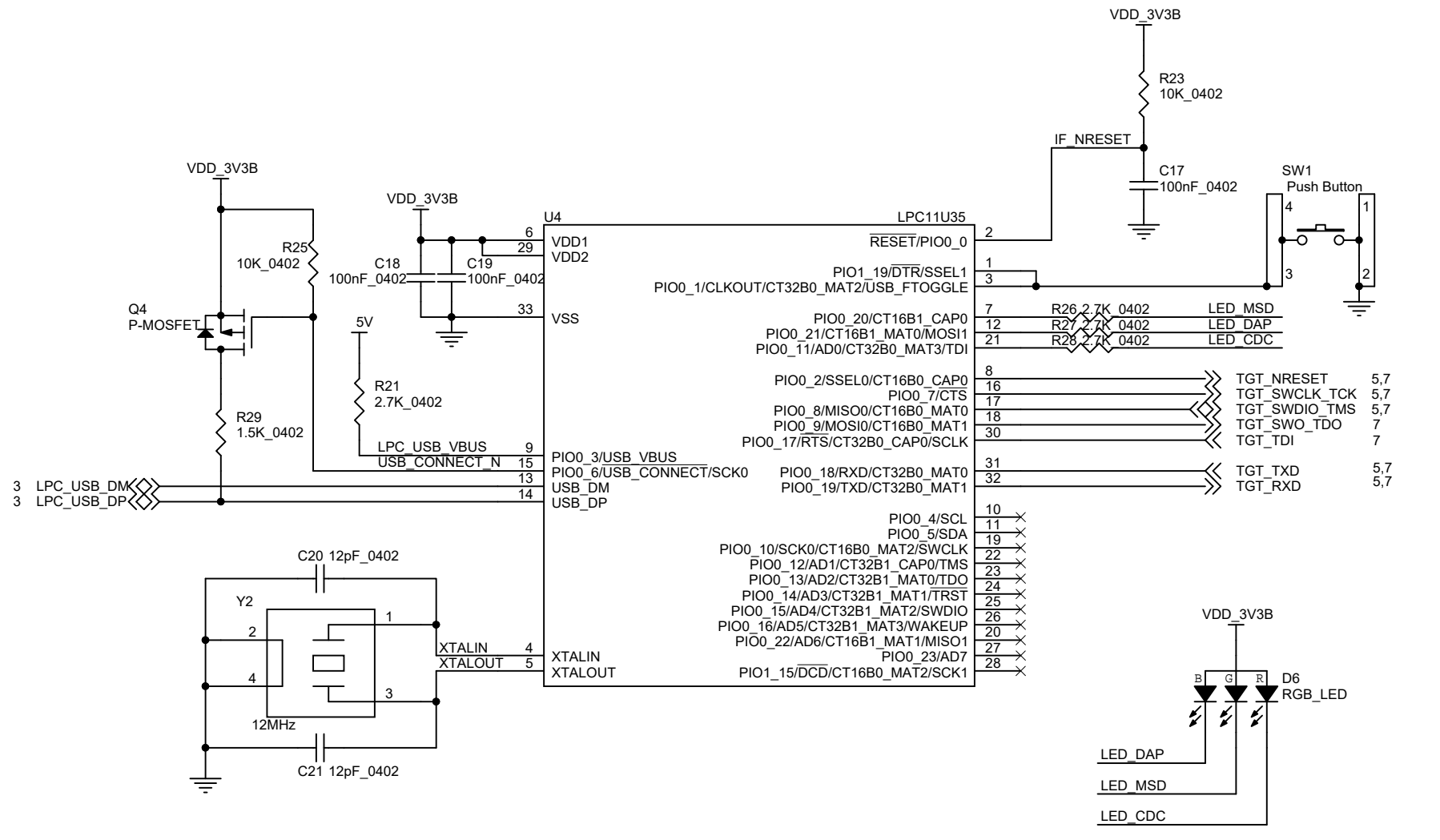
| | | |
|----------------|--|-----------------|
| Size A4 | Document Number NRF52840-MDK-1803 | Rev V1.0 |
|----------------|--|-----------------|

Date: Thursday, June 07, 2018 **Sheet** 2 of 7



makerdiary.com
 Designed By: Zelin

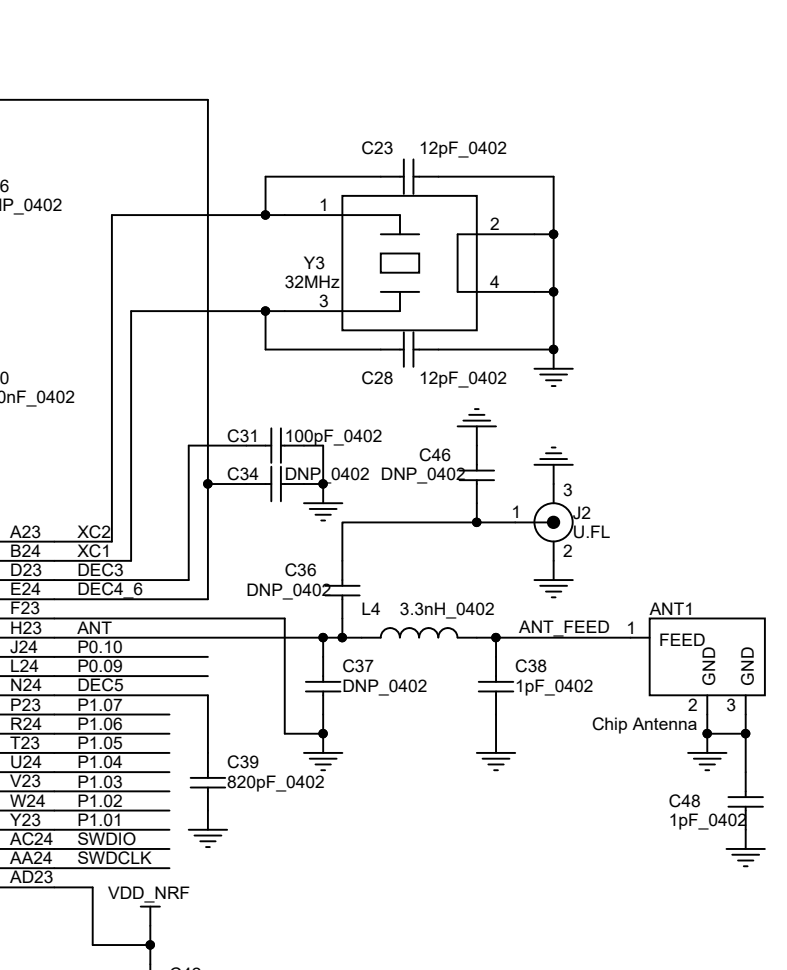
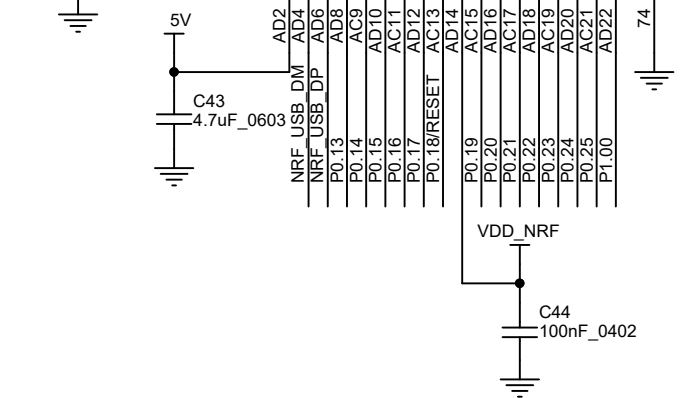
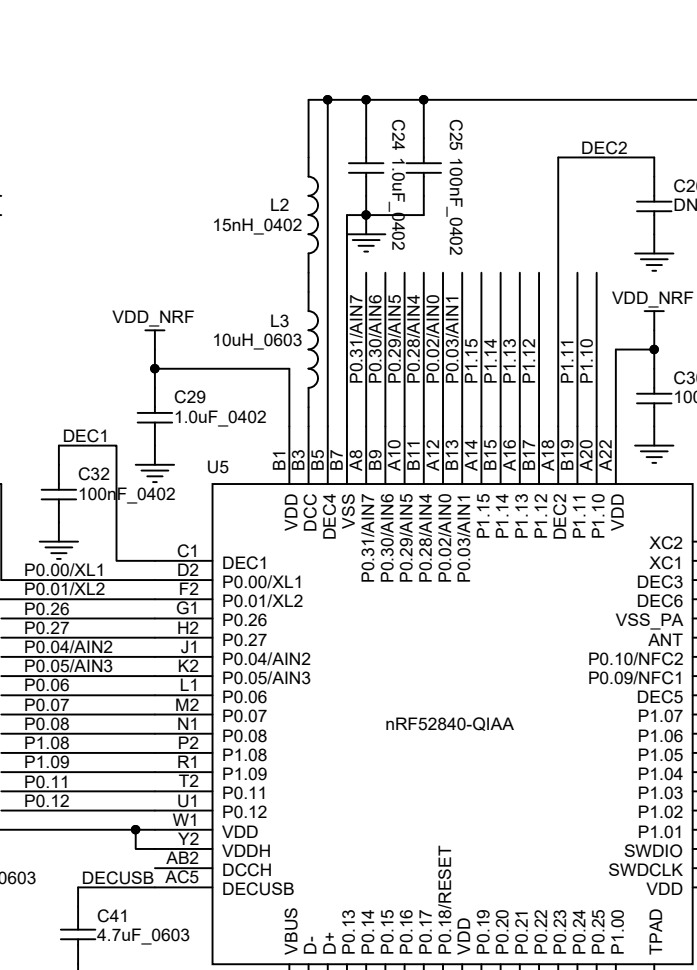
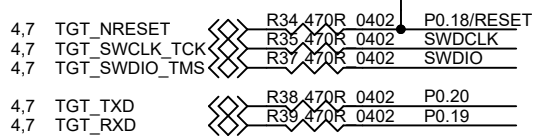
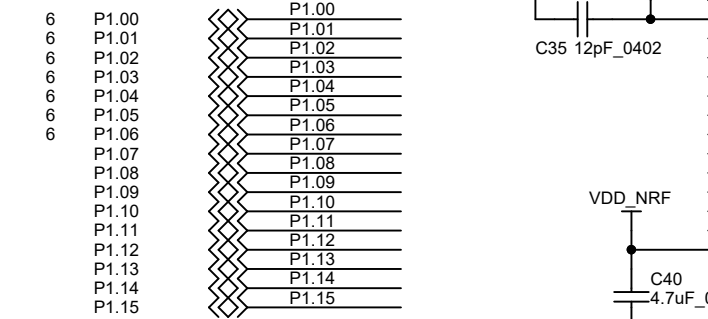
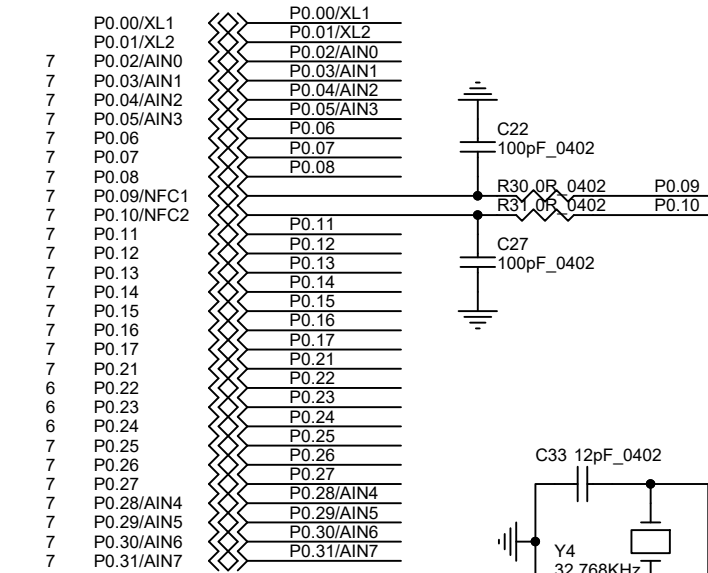
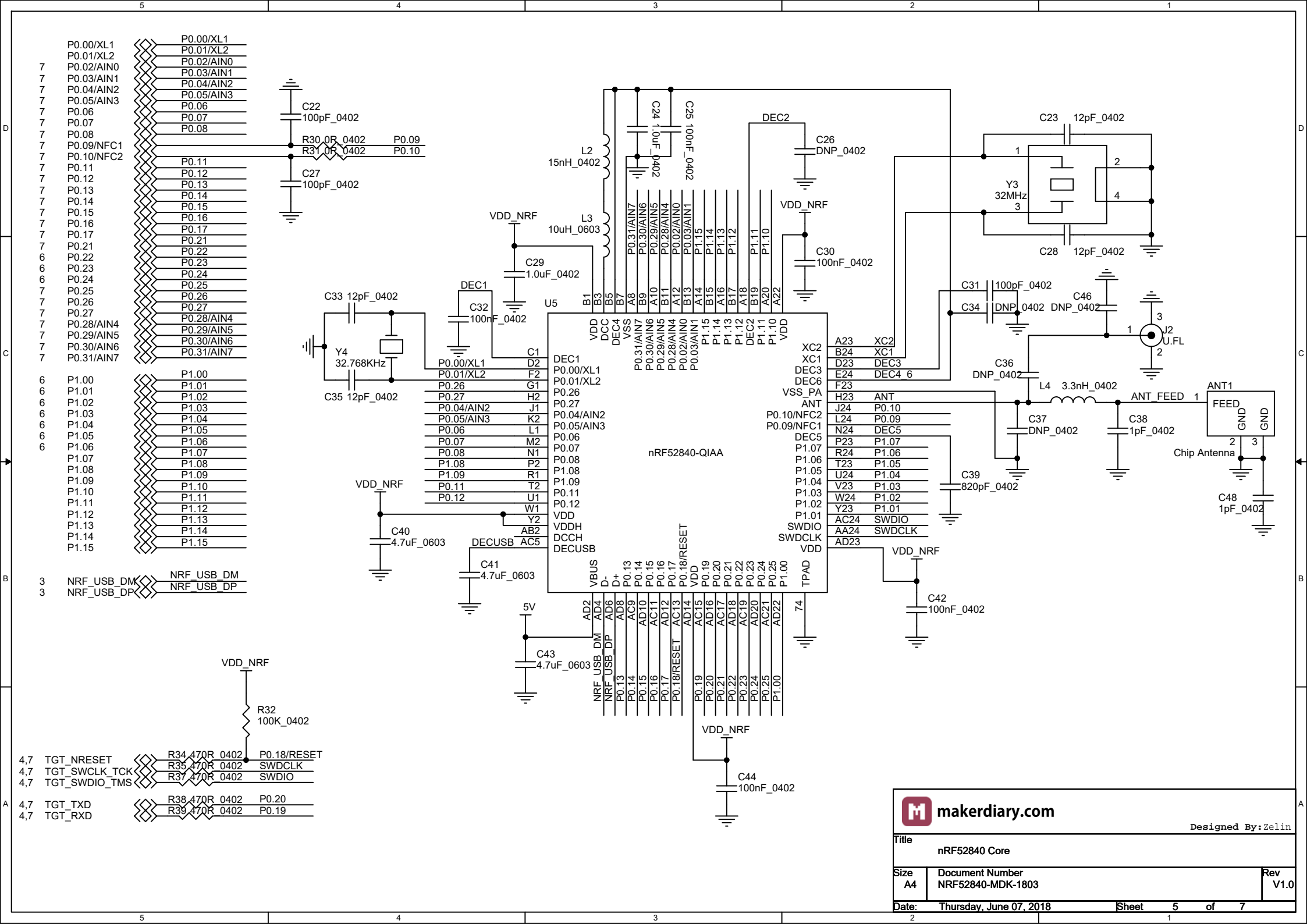
| | | | |
|-------|-------------------------|-------------|--------|
| Title | | USB 2.0 Hub | |
| Size | Document Number | Rev | |
| A4 | NRF52840-MDK-1803 | V1.0 | |
| Date: | Thursday, June 07, 2018 | Sheet | 3 of 7 |



makerdiary.com
 Designed By: Zelin

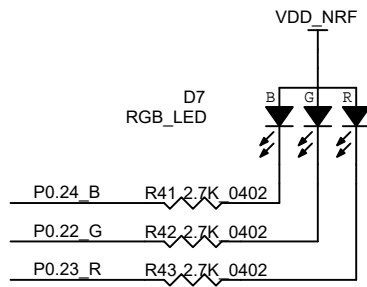
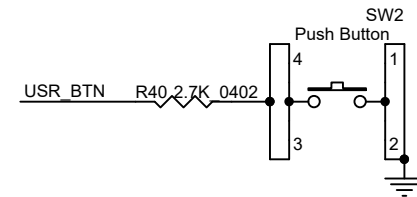
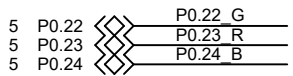
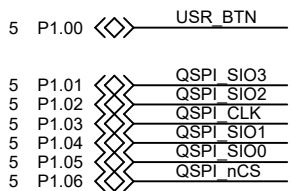
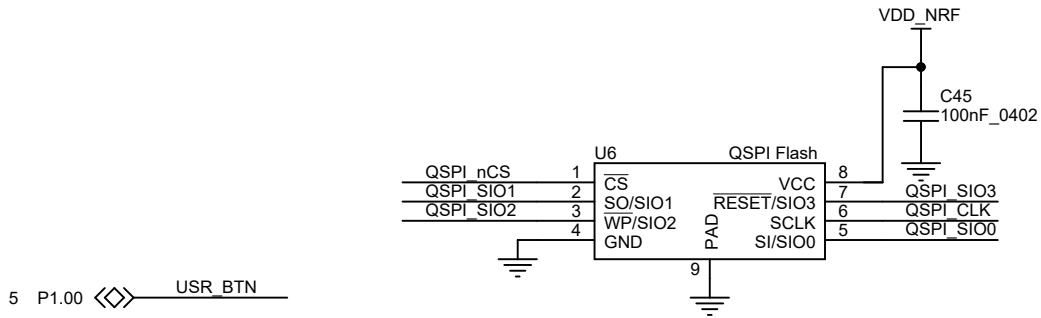
Title: DAPLink

| | | |
|-------------------------------|------------------------------------|-----------|
| Size: A4 | Document Number: NRF52840-MDK-1803 | Rev: V1.0 |
| Date: Thursday, June 07, 2018 | Sheet: 4 | of 7 |

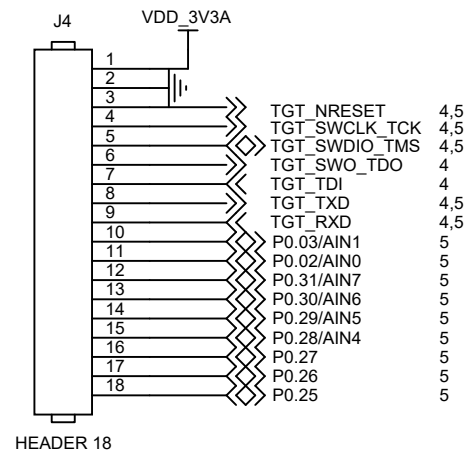
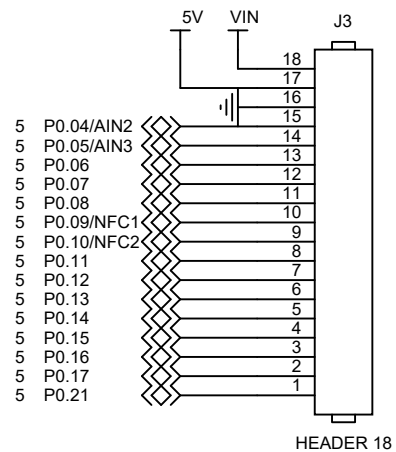


makerdiary.com
 Designed By: Zelin

| | | |
|---------------------------------|--------------------------------------|-------------|
| Title nRF52840 Core | | |
| Size A4 | Document Number NRF52840-MDK-1803 | Rev V1.0 |
| Date Thursday, June 07, 2018 | Sheet 5 | of 7 |



| | | | |
|----------------------------------|--------------------------------------|--------------------|---------|
| | | Designed By: Zelin | |
| | | | |
| Size A4 | Document Number NRF52840-MDK-1803 | Rev V1.0 | |
| Date: Thursday, June 07, 2018 | Sheet 6 | | of 7 |



| | | |
|----------------------------------|--------------------------------------|--------------------|
| | | Designed By: Zelin |
| Title Expansion Headers | | |
| Size A4 | Document Number NRF52840-MDK-1803 | Rev V1.0 |
| Date: Thursday, June 07, 2018 | Sheet 7 | of 7 |