

nRF9151 Connect Kit

Function Description	Page
Title Sheet	1
Power Supply	2
Interface MCU	3
nRF9151 Module	4
NanoSIM and eSIM	5
Pinout	6
LEDs and Buttons	7


Revision History

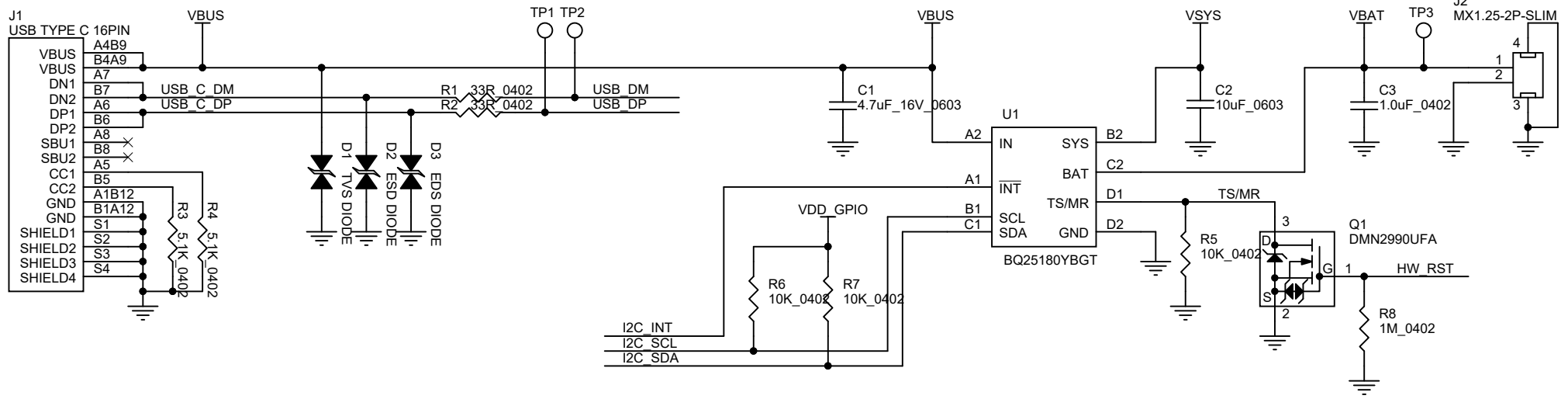
Rev.	Changes	Date
Rev A	The initial public release	Dec-25-2024



This design document is licensed by Makerdiary under the terms of the Creative Commons Attribution Share-Alike License (ver. 4).

<https://creativecommons.org/licenses/by-sa/4.0/>

 makerdiary		https://makerdiary.com
Title Sheet		
Size A4	Document Number NCK9151SCH	Rev A
Date:	Dec-25-2024	Sheet 1 of 7



- 4,6 SYS_EN VIO_EN
- 3 IF_USB_DM USB_DM
- 3 IF_USB_DP USB_DP
- 3 IF_VSEL VSEL
- 3 IF_HW_RST HW_RST
- 3 IF_I2C_INT I2C_INT
- 3 IF_I2C_SCL I2C_SCL
- 3 IF_I2C_SDA I2C_SDA

Note:
VIO_EN is pulled up by the resistor around nRF9151 EN pin.

SEL	VOUT
Low	3.3V
High	1.8V

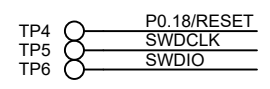
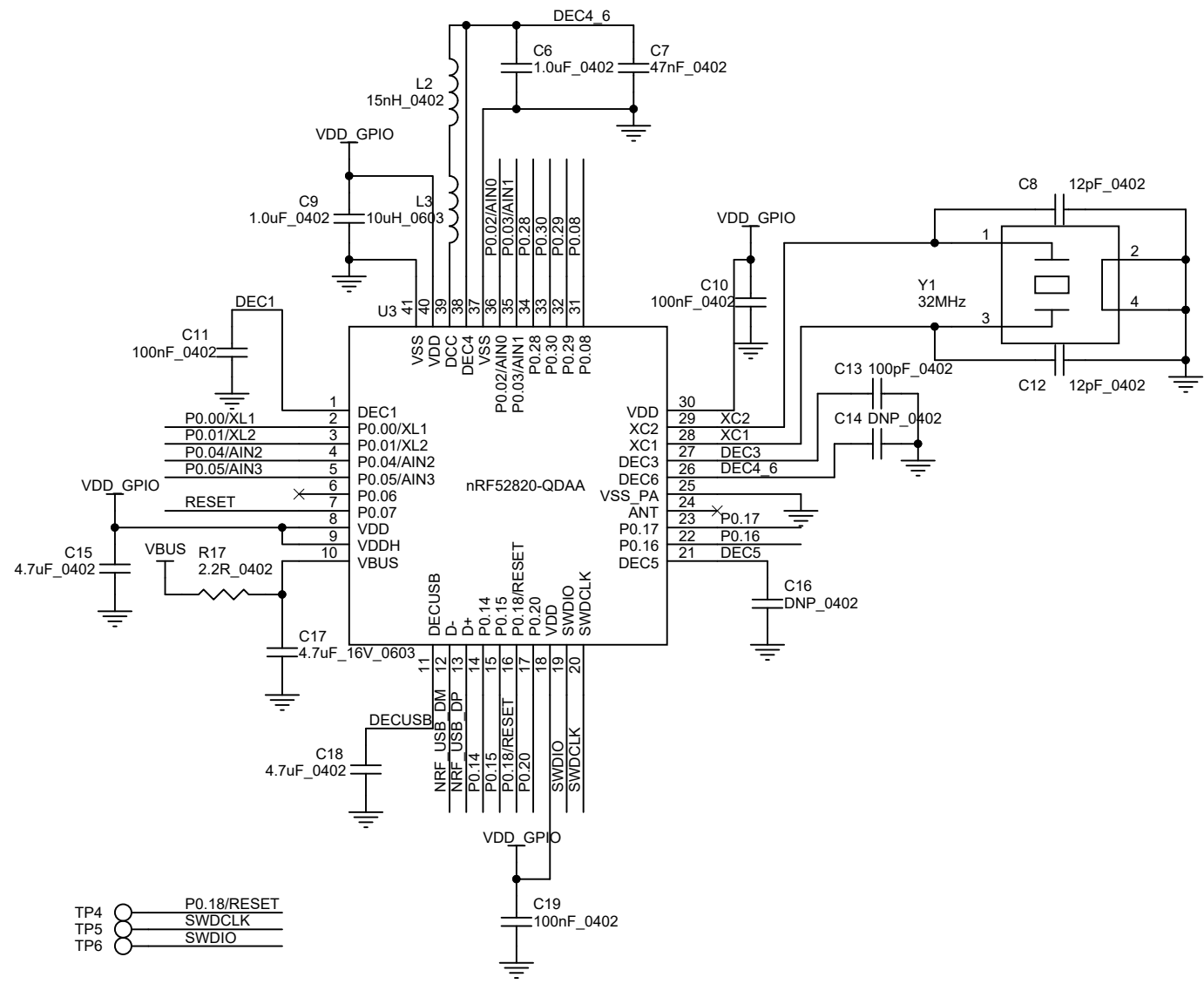
makerdiary <https://makerdiary.com>

Title: Power Supply

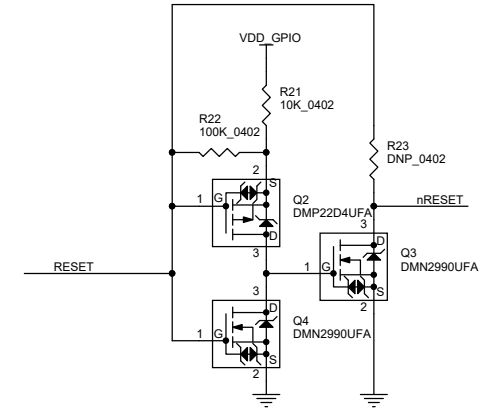
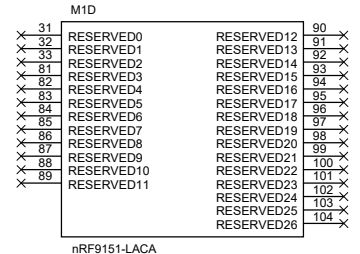
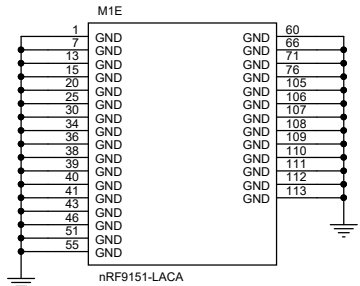
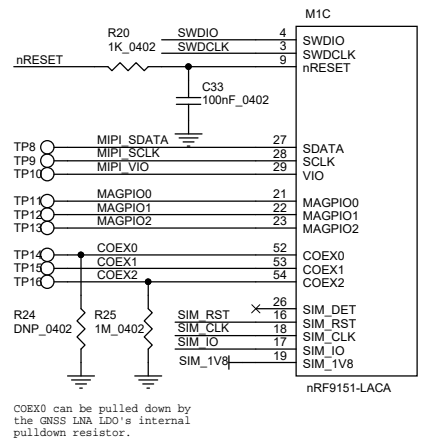
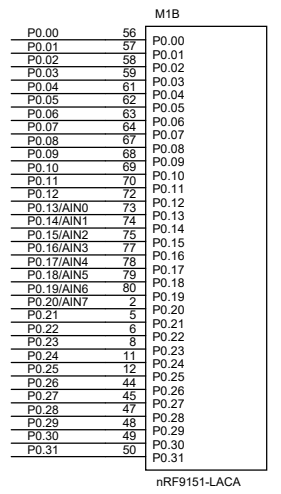
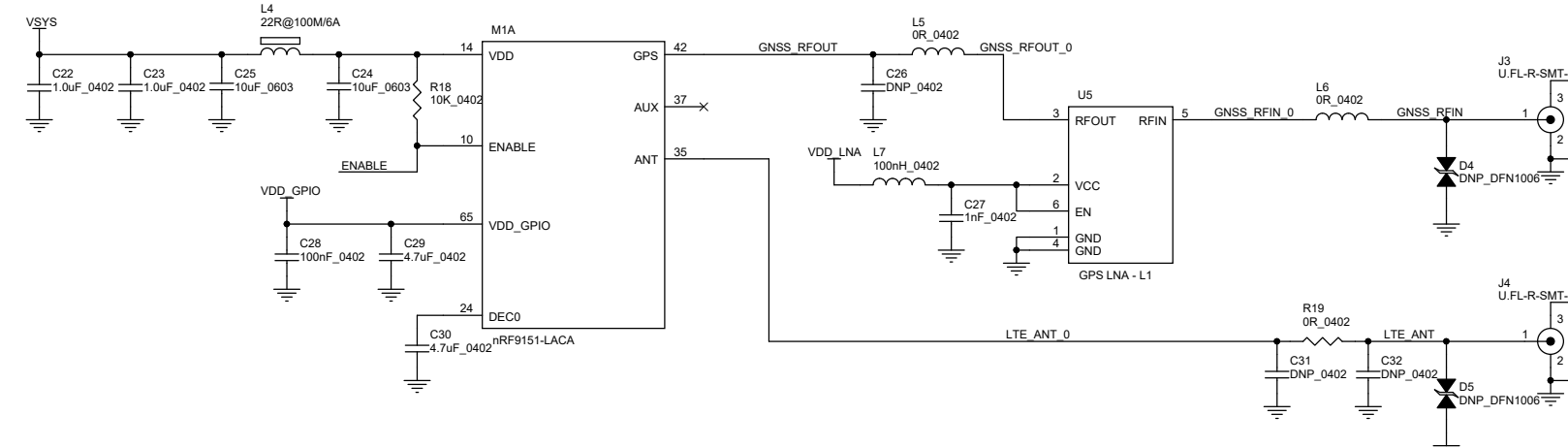
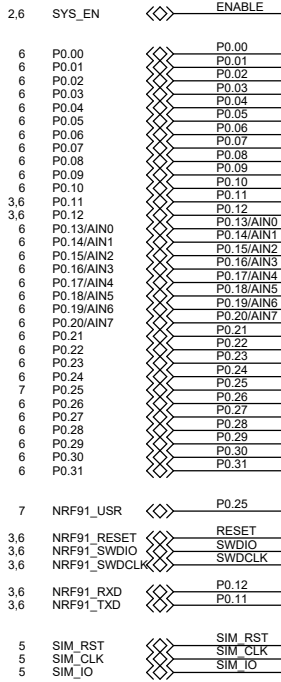
Size A4	Document Number NCK9151SCH	Rev A
---------	----------------------------	-------

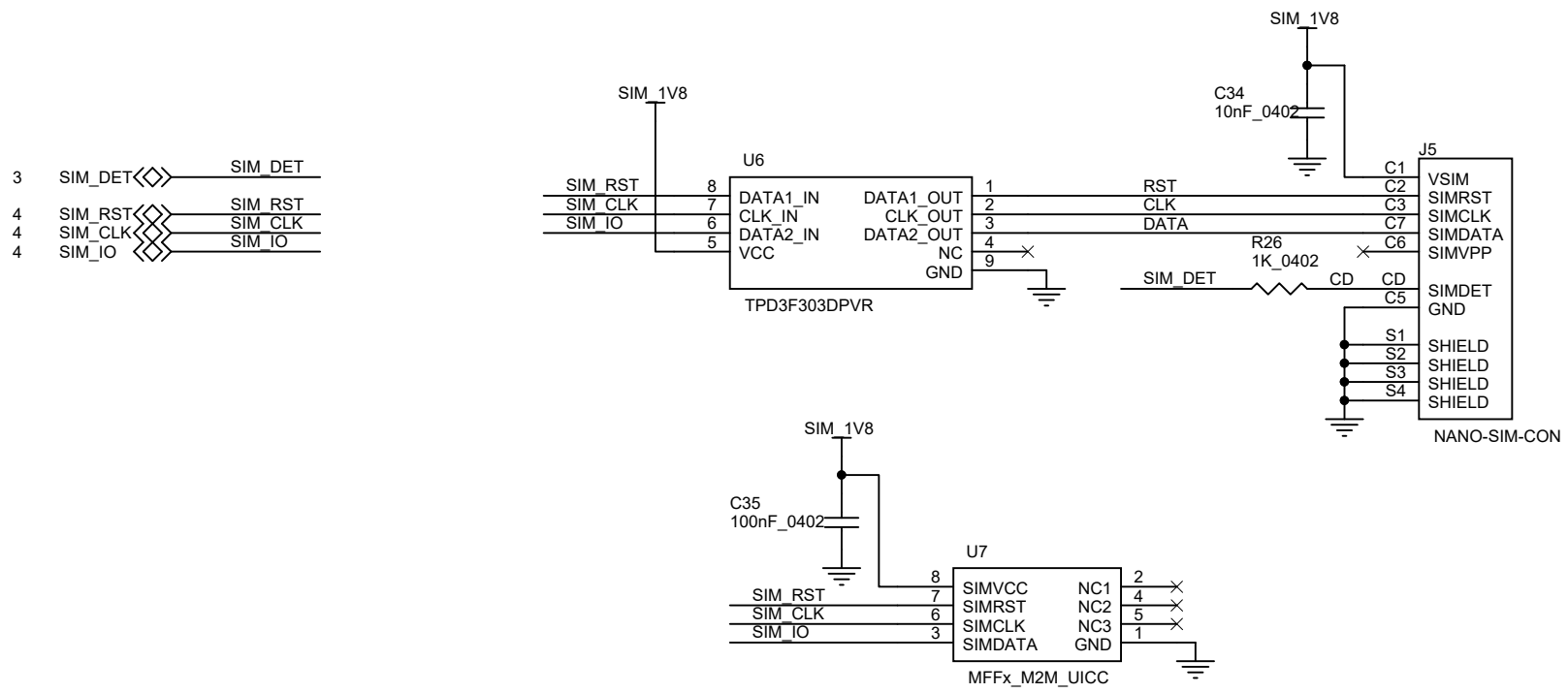
Date: Dec-25-2024 Sheet 2 of 7

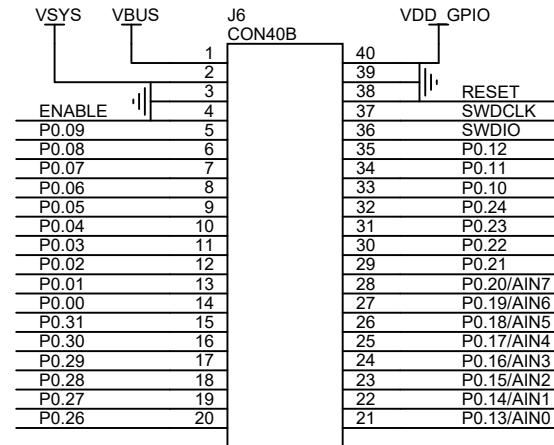
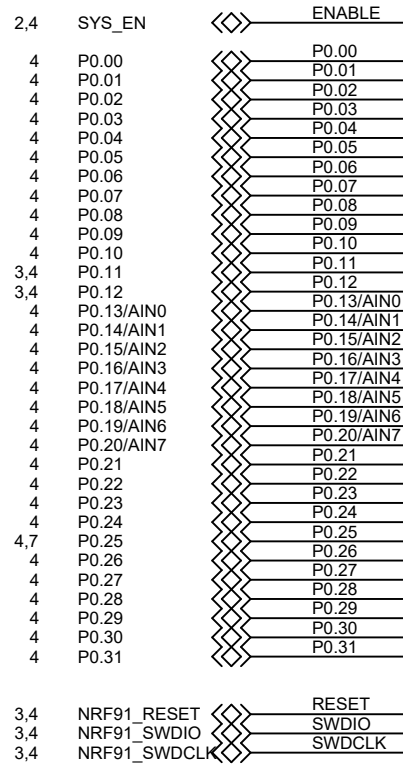
2	IF_USB_DM		NRF_USB_DM
2	IF_USB_DP		NRF_USB_DP
4,6	NRF91_SWCLK		R13 33R_0402 P0.00/XL1
4,6	NRF91_SWDIO		R12 33R_0402 P0.01/XL2
4,6	NRF91_RESET		R14 33R_0402 RESET
4,6	NRF91_TXD		R16 33R_0402 P0.04/AIN2
4,6	NRF91_RXD		R15 33R_0402 P0.05/AIN3
2	IF_I2C_INT		P0.28
2	IF_I2C_SDA		P0.02/AIN0
2	IF_I2C_SCL		P0.03/AIN1
7	IF_LED_PWR		P0.16
7	IF_LED_RED		P0.20
7	IF_LED_GREEN		P0.15
7	IF_LED_BLUE		P0.14
7	IF_MODE_DFU		P0.30
2	IF_VSEL		P0.08
2	IF_HW_RST		P0.17
5	SIM_DET		P0.29



		https://makerdiary.com
Title Interface MCU - NRF52820		
Size A4	Document Number NCK9151SCH	Rev A
Date:	Dec-25-2024	Sheet 3 of 7





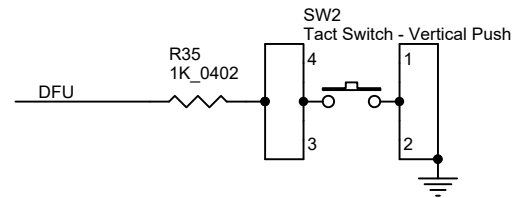
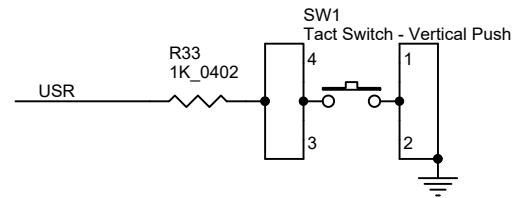
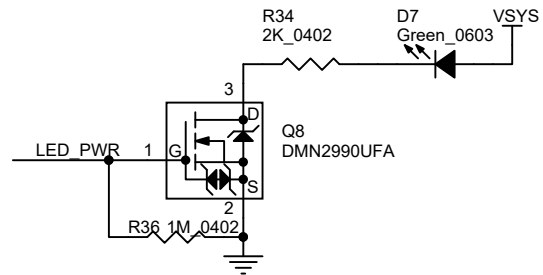
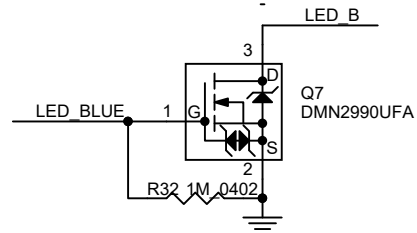
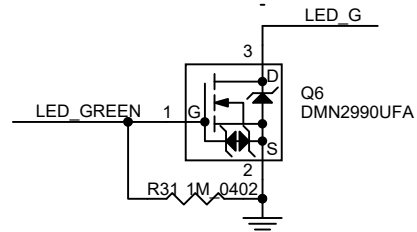
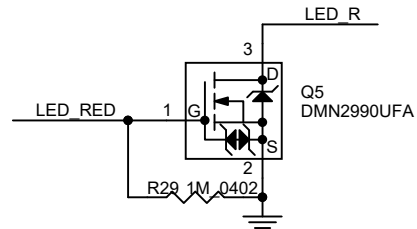
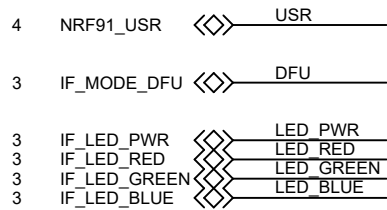


makerdiary <https://makerdiary.com>

Title: Pinout

Size: A4	Document Number: NCK9151SCH	Rev: A
----------	-----------------------------	--------

Date: Dec-25-2024 Sheet 6 of 7



		https://makerdiary.com	
Title LEDs and Buttons			
Size A4	Document Number NCK9151SCH		Rev A
Date:	Dec-25-2024	Sheet	7 of 7