

Pitaya Go	
Function Description	Page
Title Sheet	1
Power Supply	2
nRF52840 Core	3
Wi-Fi Module	4
Miscellaneous	5

Revision History		
Rev.	Changes	Date
V1.0	Initial release	6-Jun-2019

This design document is licensed by Makerdiary under the terms of the Creative Commons Attribution Share-Alike License (ver. 3).

<https://creativecommons.org/licenses/by-sa/3.0/>

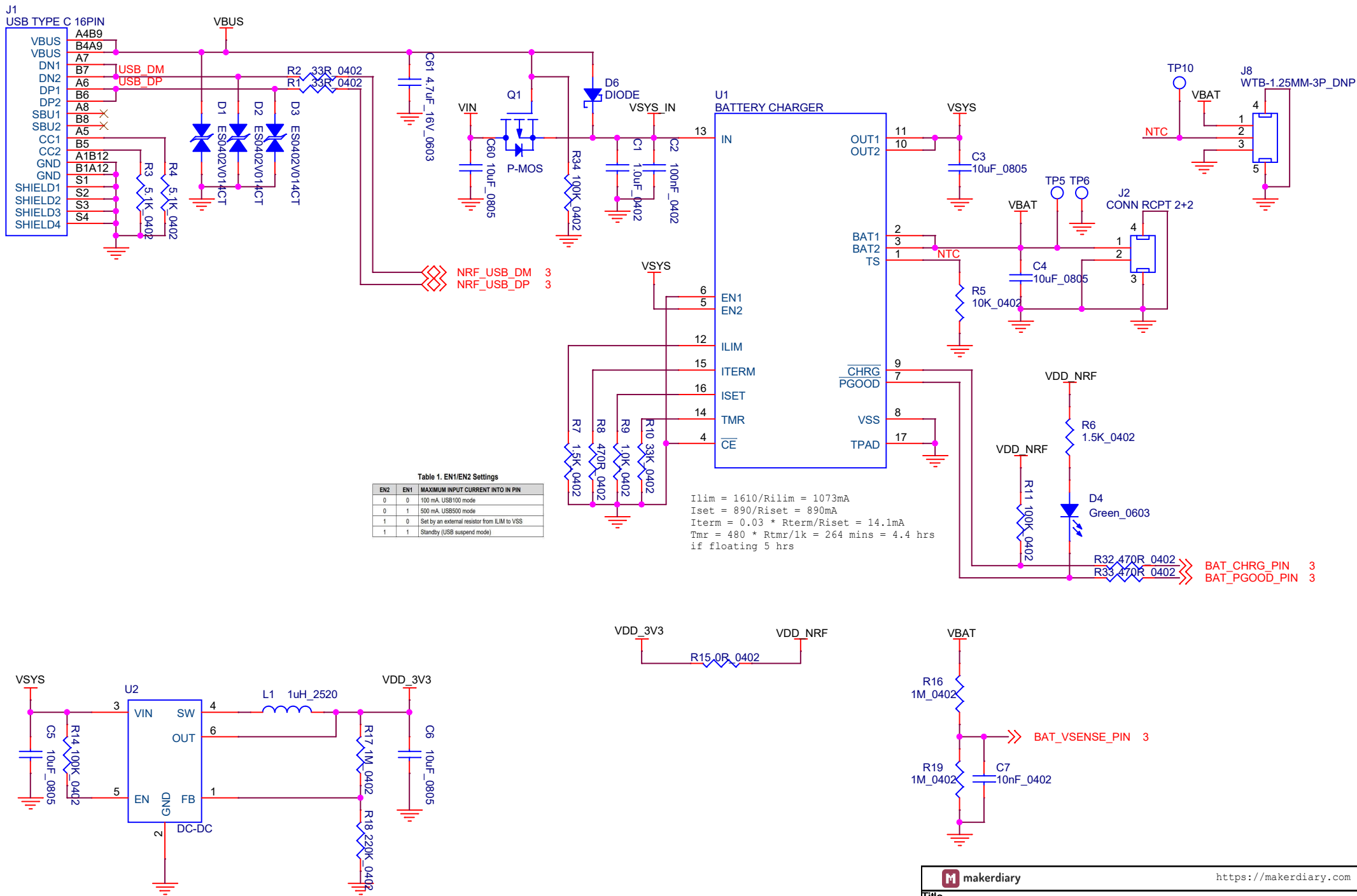
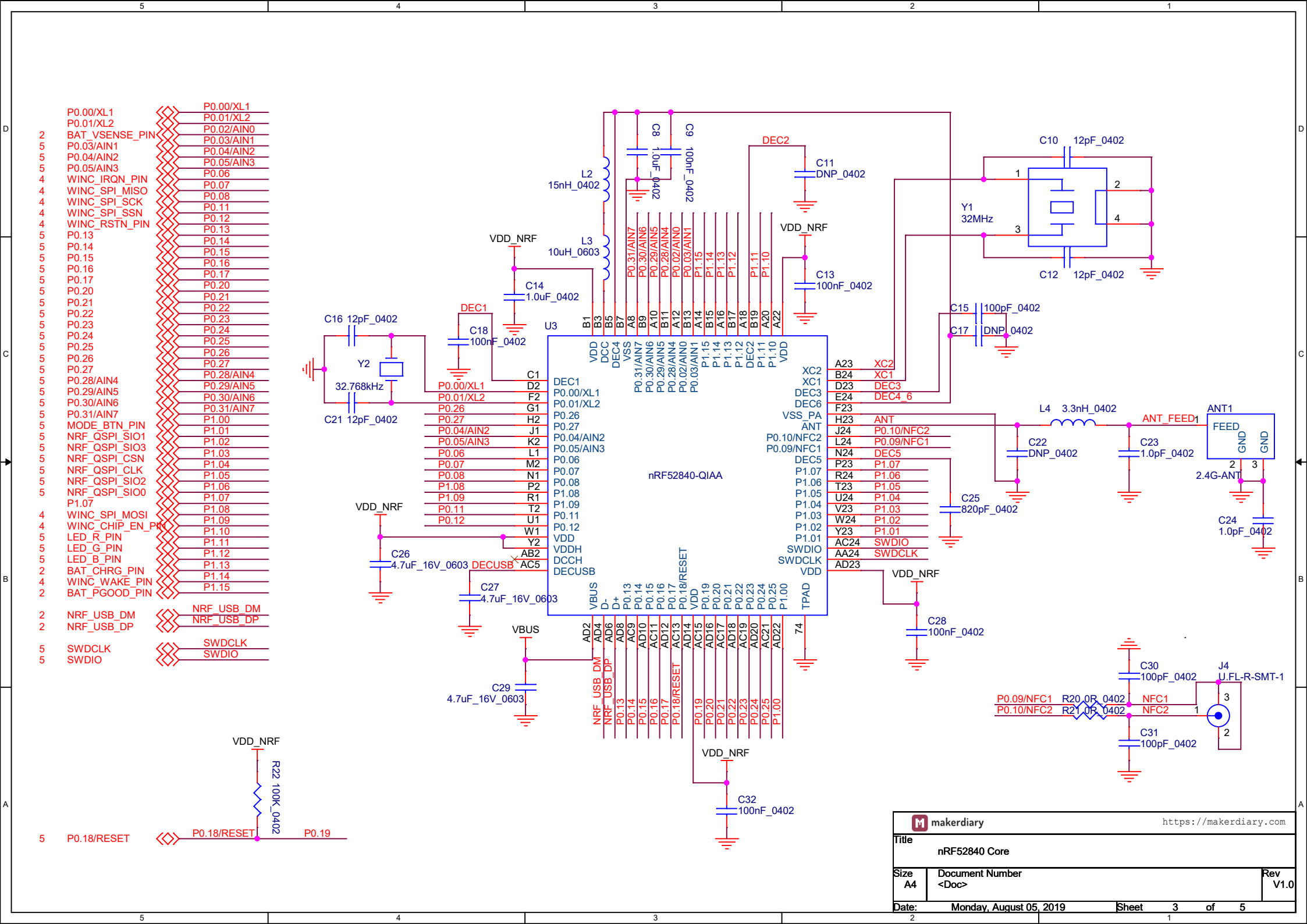


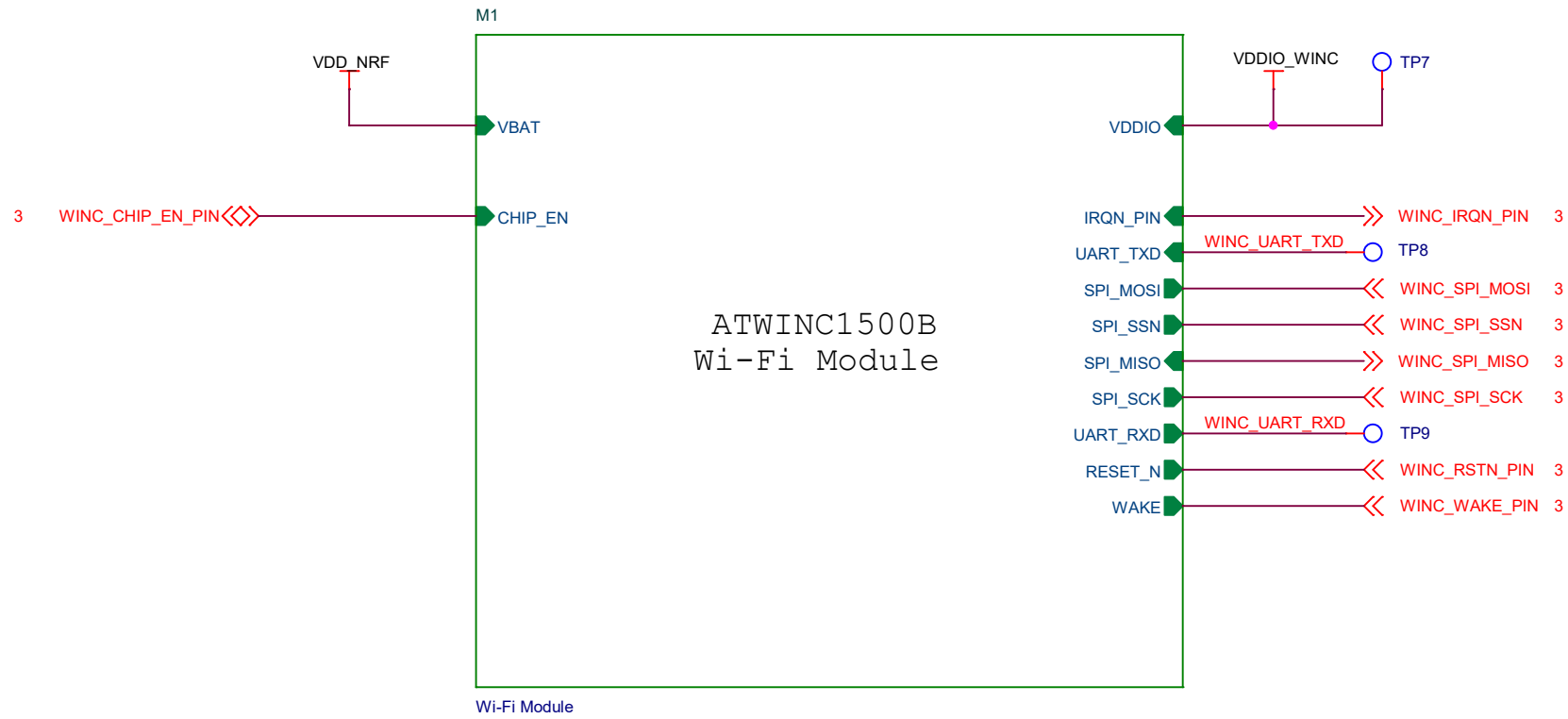
Table 1. EN1/EN2 Settings


EN2	EN1	MAXIMUM INPUT CURRENT INTO IN PIN
0	0	100 mA, USB100 mode
0	1	500 mA, USB500 mode
1	0	Set by an external resistor from ILIM to VSS
1	1	Standby (USB suspend mode)

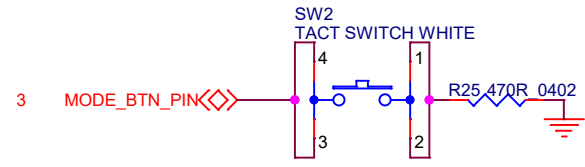
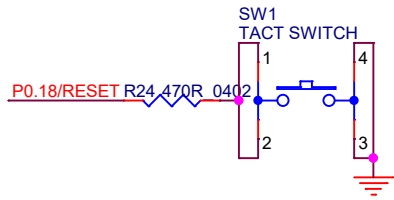
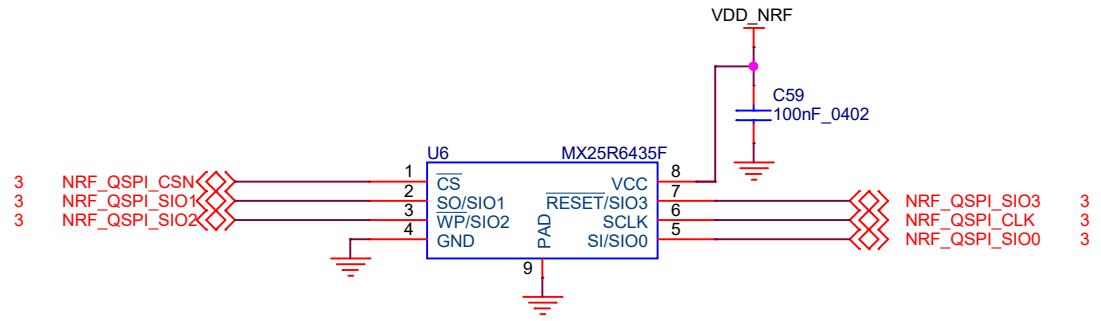
$I_{lim} = 1610/R_{ilim} = 1073\text{mA}$
 $I_{set} = 890/R_{iset} = 890\text{mA}$
 $I_{term} = 0.03 * R_{term}/R_{iset} = 14.1\text{mA}$
 $T_{mr} = 480 * R_{tmr}/1k = 264 \text{ mins} = 4.4 \text{ hrs}$
 if floating 5 hrs



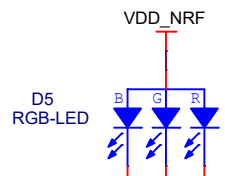
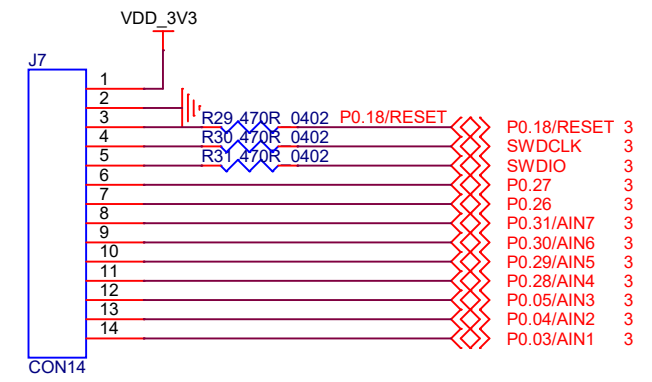
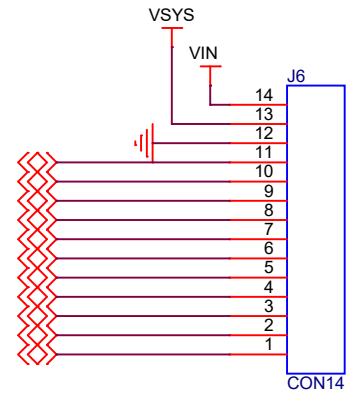
makerdiary https://makerdiary.com	
Title: nRF52840 Core	
Size: A4	Document Number: <Doc>
Date: Monday, August 05, 2019	Rev: V1.0
Sheet: 3	of 5



 makerdiary		https://makerdiary.com
Title Wi-Fi Module		
Size A4	Document Number <Doc>	Rev V1.0
Date: Monday, August 05, 2019		Sheet 4 of 5



- 3 P0.13
- 3 P0.14
- 3 P0.15
- 3 P0.16
- 3 P0.17
- 3 P0.20
- 3 P0.21
- 3 P0.22
- 3 P0.23
- 3 P0.24
- 3 P0.25



- 3 LED_B_PIN
- 3 LED_G_PIN
- 3 LED_R_PIN